



## **Reference Drawing List**

Note: The drawings provided correspond to the original works and are to be used as a guide only.

### **General**

61/01/01/T1	Title Sheet
61/01/01/T2	General Notes
61/01/01/T3	Standard Barge Units
61/01/01/T4	Standard Barge Attachments
61/01/01/T5	Standard Aluminium Platforms
61/01/01/T6	Standard Aluminium Gangways & Ramps

### **Hamilton Terminal**

13/26/02/HT2	Site Plan
13/26/02/HT3	Barge Assembly Plan
13/26/02/HT4	Aluminium Assembly Plan
13/26/02/HT5	Assembly Connection Details
13/26/02/HT6	Ballasting Plan
13/26/02/HT8	Wall Notch Construction
13/26/02/HT10	Gangway Pier Extension
13/26/02/HT11	Wall Fender
13/26/02/HT12	Mooring Piles
13/26/02/HT13	Misc. Details

### **Dockyard Terminal**

61/45/01/DY1	Existing Conditions
61/45/01/DY3	Barge & Aluminum Assembly Plan
61/45/01/DY4	Assembly Connections
61/45/01/DY5	Ballasting Plan
61/45/01/DY6	Gangway Notch Plan & Details
61/45/01/DY7	Wall Fender
61/45/01/DY8	Not Included
61/45/01/DY9	Fender Details
61/45/01/DY10	Misc. Details

61/45/01/DY11 Mooring Layout

61/45/01/DY12 Mooring Details

**Market Wharf**

61/46/01/SG2 Site Layout

61/46/01/SG3 Barge & Aluminium Assembly Plan

61/46/01/SG4 Assembly Connections

61/46/01/SG5 Ballasting Plan

**Hamilton Depot**

61/35/01/HD3 Barge Assembly Plan

S00 General Arrangement Plan





Structures Section

BCE Bourne Consulting Engin  
104 West Central Street  
Franklin, MA 02038  
TEL: (603) 538-8133 FAX: (603) 538-0011

GENERAL NOTES:  
WTBH - WATER TIGHT BULKHEAD

ISSUED FOR: REFERENCE ONLY 2016 09 07

AMENDMENTS:

NO:	REVISION	APP	DATE:
B	REVISIONS AS NOTED	RRB	04/01/02
C	REFERENCE ONLY	MAM	2016 09 07

SCALE: AS NOTED

SURVEY

PREPARED BY:	DATE:

DESIGN

PREPARED BY:	DATE:
BAP	23/05/01

CHECKED BY:	DATE:
RRB	23/05/01

DRAWING

PREPARED BY:	DATE:
JSK	23/05/01

CHECKED BY:	DATE:
RRB	23/05/01

APPROVED BY:  
RRB

PROJECT NUMBER:  
61/01/01

PROJECT NAME:

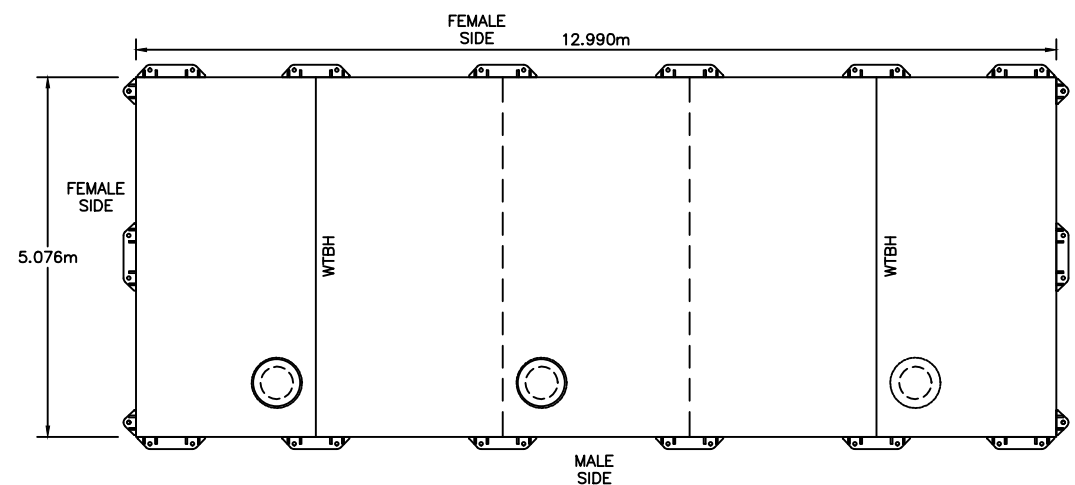
REPLACEMENT FERRY PROJECT  
PHASE 1  
DOCK CONSTRUCTION

DRAWING FILE NO: ACAD R-14  
T-3 STD Barge Units.dwg

SHEET TITLE:  
STANDARD  
BARGE UNITS

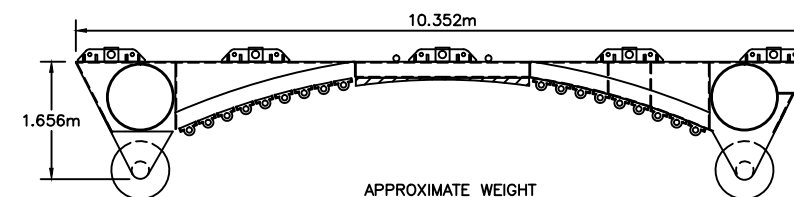
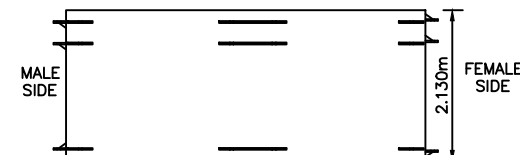
SHEET NUMBER: 61/01/01/T3

REVISION



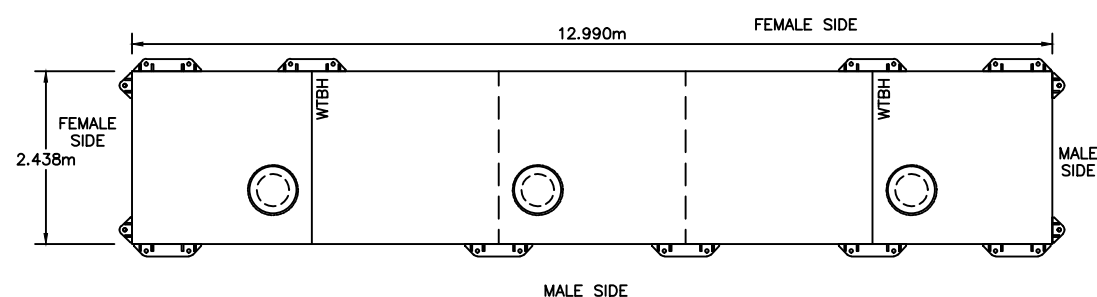
APPROXIMATE WEIGHT  
PER FABRICATOR: 58,388 lbs

A  
T3  
TYPE I BARGE  
SCALE: 1 : 50



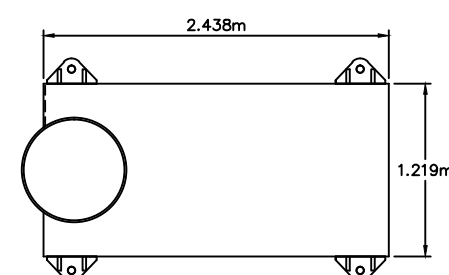
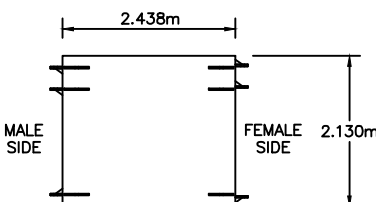
APPROXIMATE WEIGHT  
PER FABRICATOR: 28,500 lbs

B  
T3  
BOW LOADER UNIT  
SCALE: 1 : 50



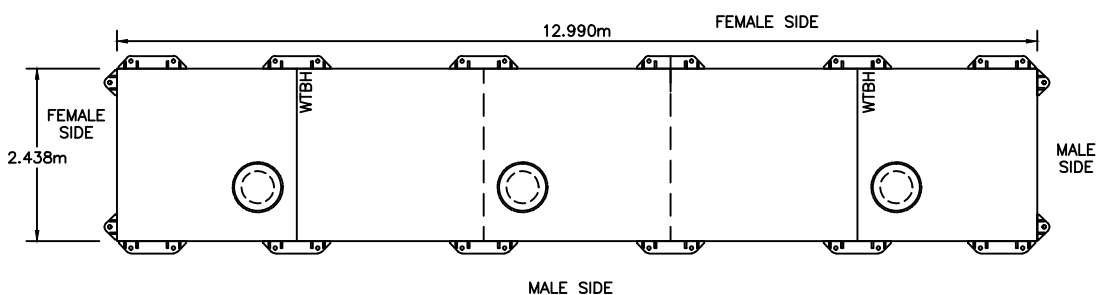
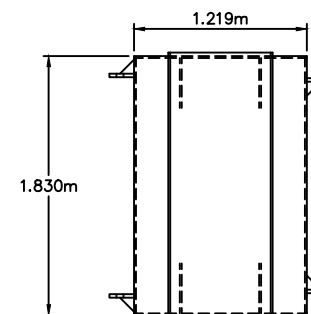
APPROXIMATE WEIGHT  
PER FABRICATOR: 36,476 lbs

C  
T3  
TYPE II BARGE  
SCALE: 1 : 50



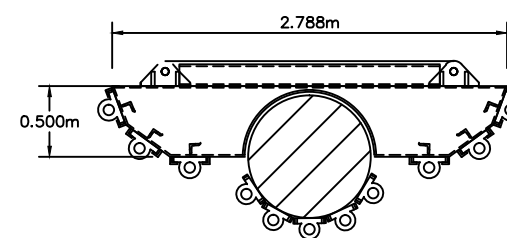
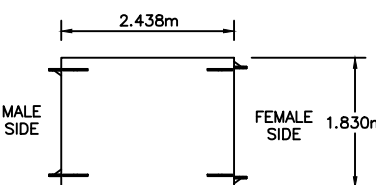
APPROXIMATE WEIGHT  
PER FABRICATOR: 4,950 lbs

D  
T3  
TYPE I PILE GUIDE  
SCALE: 1 : 25



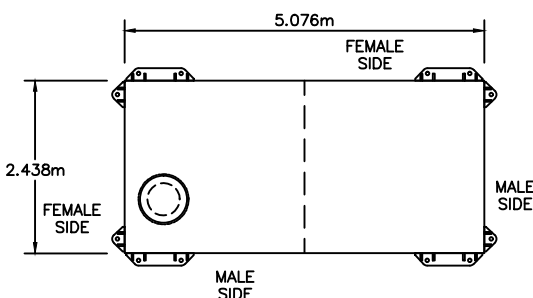
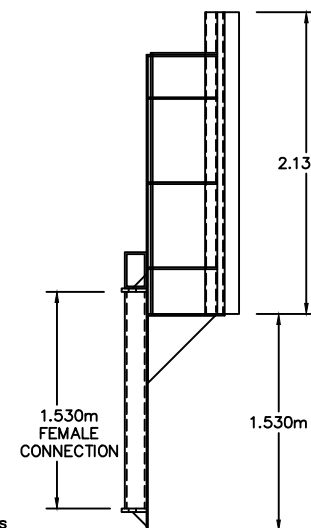
APPROXIMATE WEIGHT  
PER FABRICATOR: 32,802 lbs

E  
T3  
TYPE III BARGE  
SCALE: 1 : 50



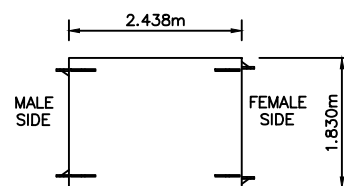
APPROXIMATE WEIGHT: 5,890 lbs  
PER FABRICATOR: 5,434 lbs

F  
T3  
TYPE II PILE GUIDE  
SCALE: 1 : 25



APPROXIMATE WEIGHT  
PER FABRICATOR: 13,948 lbs

F  
T3  
TYPE IV BARGE  
SCALE: 1 : 50



REFERENCE ONLY

Reference Drawings

GENERAL NOTES:

ISSUED FOR: REFERENCE ONLY 2016 09 07

AMENDMENTS:

NO:	REVISION	APP	DATE:
△	HIGH HMS FENDER	RRB	04/01/02
△	REFERENCE ONLY	MAM	2016 09 07

SCALE: AS NOTED

SURVEY

PREPARED BY: DATE:

DESIGN

PREPARED BY: BAP DATE: 23/05/01  
CHECKED BY: RRB DATE: 23/05/01

DRAWING

PREPARED BY: JSK DATE: 23/05/01  
CHECKED BY: RRB DATE: 23/05/01

APPROVED BY:  
RRB

PROJECT NUMBER:  
61/01/01

PROJECT NAME:

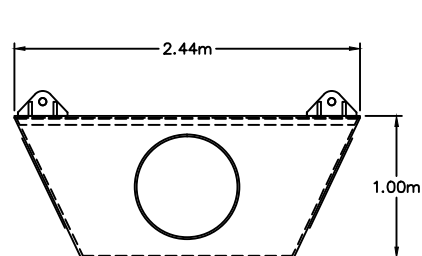
REPLACEMENT FERRY PROJECT  
PHASE 1  
DOCK CONSTRUCTION

DRAWING FILE NO: ACAD R-14  
T-4 STD Barge Attachments.dwg

SHEET TITLE:

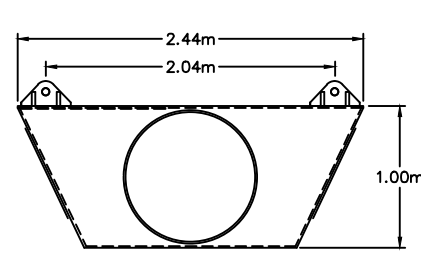
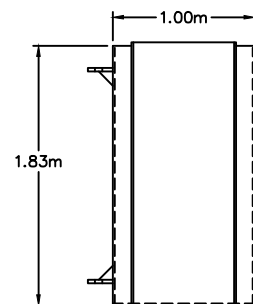
STANDARD  
BARGE ATTACHMENTS

SHEET NUMBER: 13/01/01/T4 REVISION:



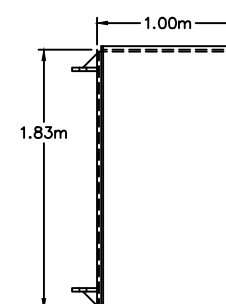
2 PINS REQ'D-LENGTH VARIES

**A**  
T4  
TYPE III PILE GUIDE  
SCALE: 1 : 25

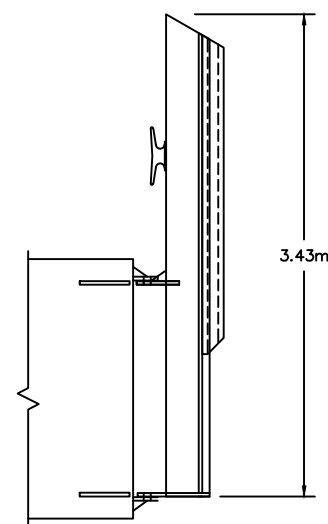
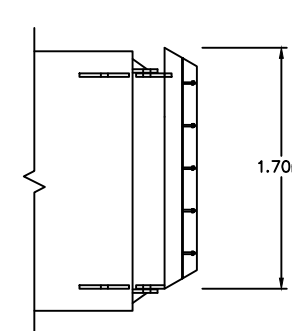


2 LONG PINS REQ'D

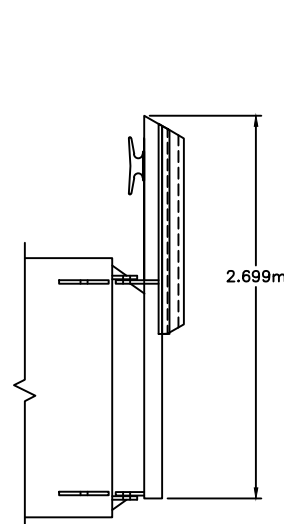
**B**  
T4  
TYPE IV PILE GUIDE  
SCALE: 1 : 25



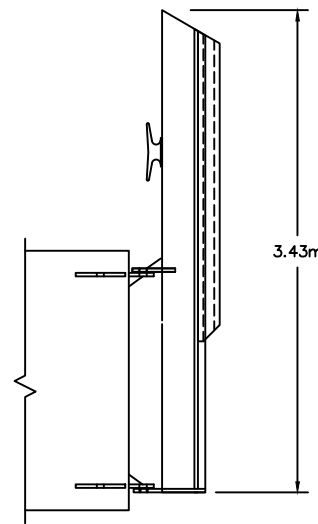
**C**  
T4  
WALL FENDER  
SCALE: 1 : 25



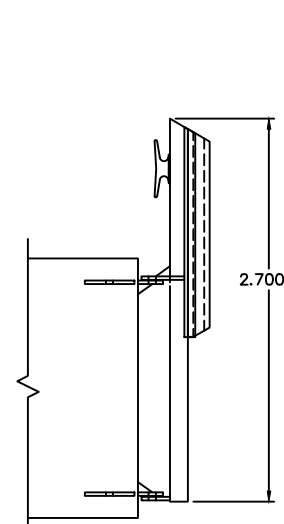
**D**  
T4  
2 SHORT PINS REQ'D  
HIGH FENDER TYPE HM  
SCALE: 1 : 25



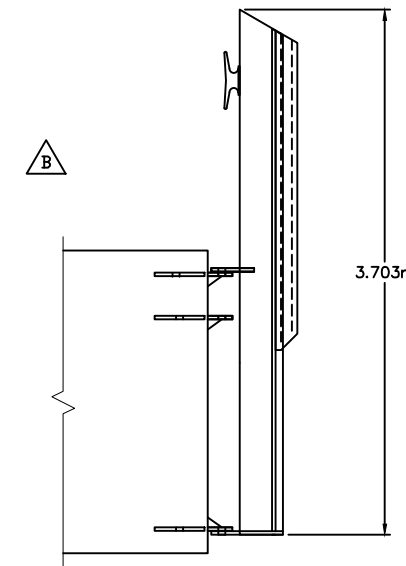
**E**  
T4  
2 SHORT PINS REQ'D  
LOW FENDER TYPE LM  
SCALE: 1 : 25



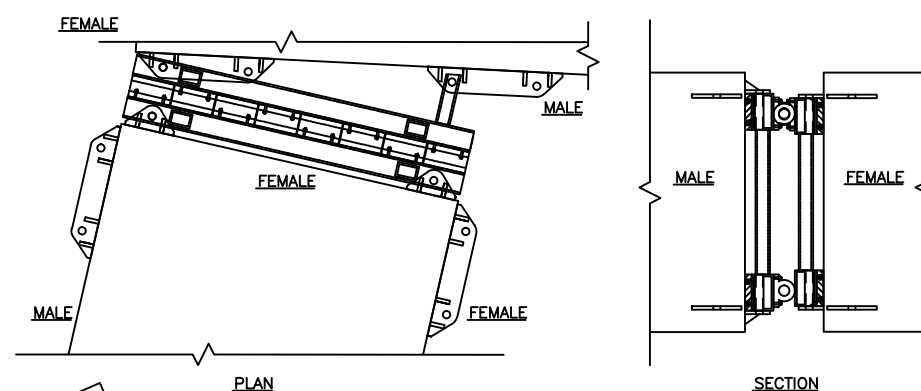
**F**  
T4  
2 SHORT PINS REQ'D  
HIGH FENDER TYPE HF  
SCALE: 1 : 25



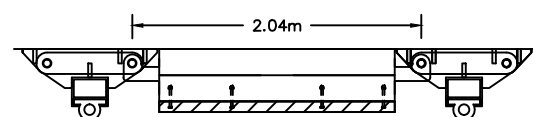
**G**  
T4  
2 SHORT PINS REQ'D  
LOW FENDER TYPE LF  
SCALE: 1 : 25



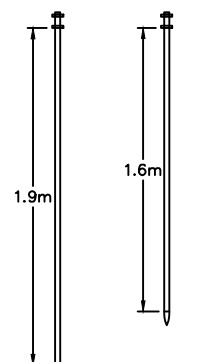
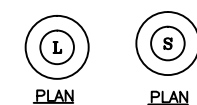
**H**  
T4  
2 LONG PINS REQ'D  
HIGH FENDER TYPE HMS  
SCALE: 1 : 25



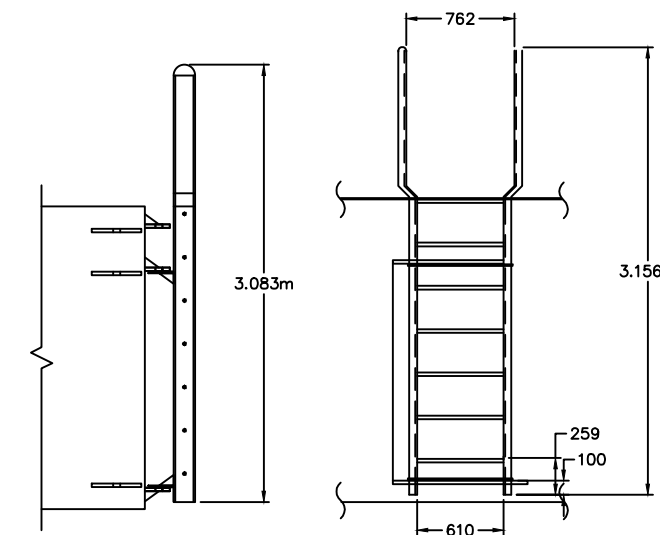
**I**  
T4  
BARGE CONNECTION - DETAIL  
SCALE: 1 : 25



**J**  
T4  
TRANSITION ASSEMBLY  
SCALE: 1 : 25



**K**  
T4  
LONG PIN- ELEVATION  
SHORT PIN- ELEVATION  
PIN DETAIL  
SCALE: 1 : 20



**L**  
T4  
LADDER  
SCALE: 1 : 25

Reference Drawings

REFERENCE ONLY



Structures Section

GENERAL NOTES:

ISSUED FOR: REFERENCE ONLY 2016 09 07

AMENDMENTS:

NO:	REVISION	APP	DATE:

SCALE: 1 : 50

SURVEY

PREPARED BY: DATE:

DESIGN

PREPARED BY: DATE:  
BAP 23/05/01  
CHECKED BY: DATE:  
RRB 23/05/01

DRAWING

PREPARED BY: DATE:  
JSK 23/05/01  
CHECKED BY: DATE:  
RRB 23/05/01

APPROVED BY:  
RRB

PROJECT NUMBER:  
61/01/01

PROJECT NAME:

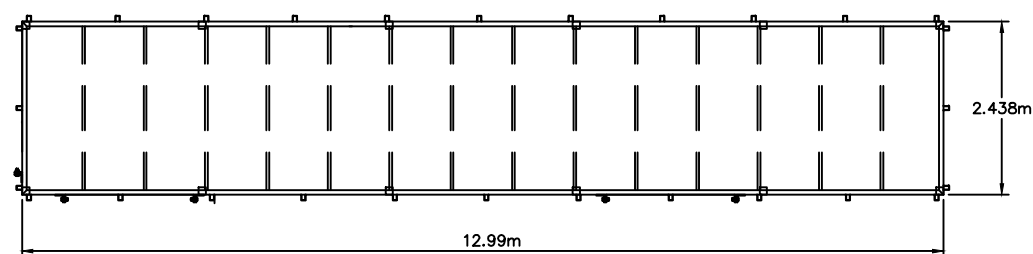
REPLACEMENT FERRY PROJECT  
PHASE 1  
DOCK CONSTRUCTION

DRAWING FILE NO: ACAD R-14  
T-5 STD Aluminum Platforms.dwg

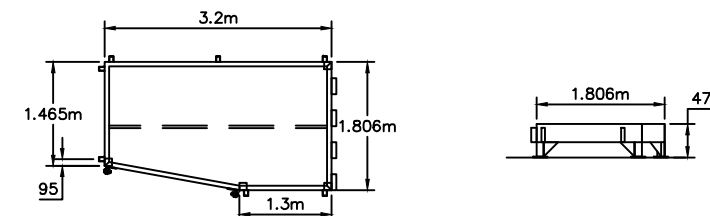
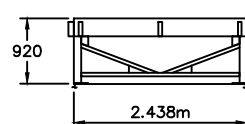
SHEET TITLE:

STANDARD ALUMINUM  
PLATFORMS

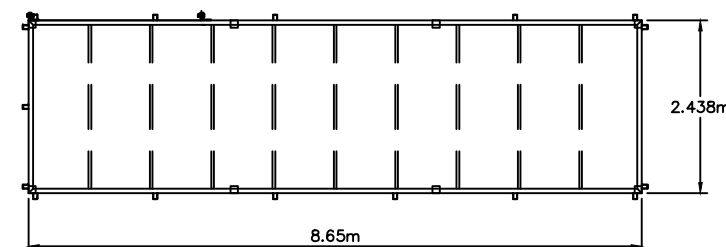
SHEET NUMBER: REVISION  
61/01/01/T5



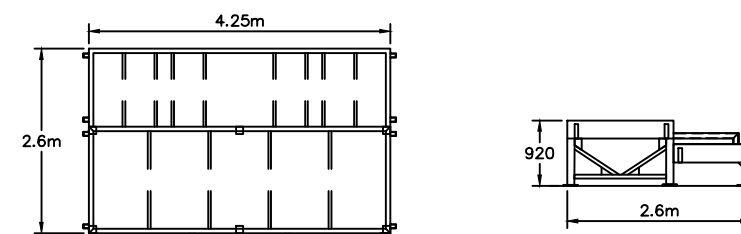
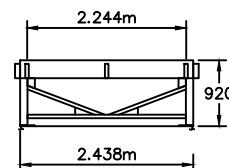
**A**  
T5  
TYPE A PLATFORM  
SCALE: 1 : 50



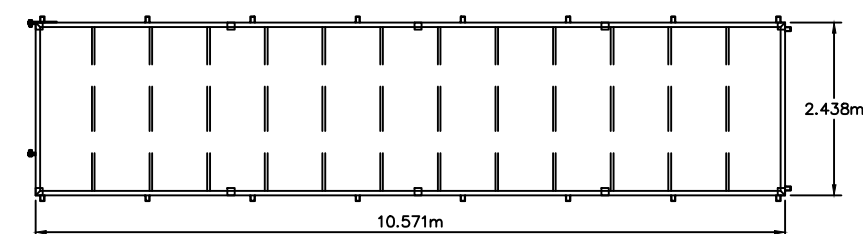
**B**  
T5  
HT-TYPE 2 PLATFORM  
SCALE: 1 : 50



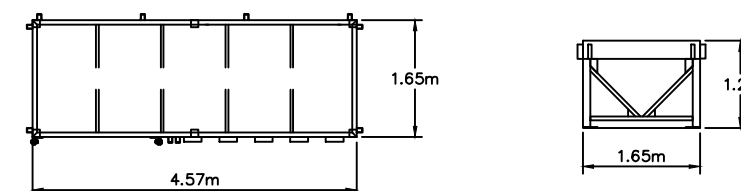
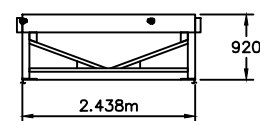
**C**  
T5  
TYPE B PLATFORM  
SCALE: 1 : 50



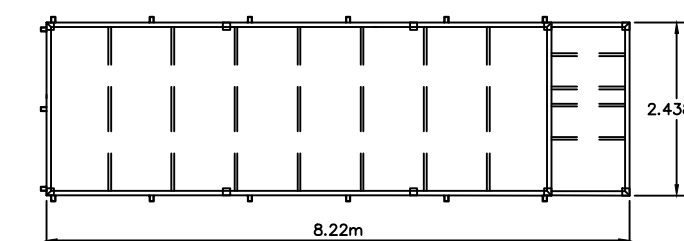
**D**  
T5  
DY-TYPE 1 PLATFORM  
SCALE: 1 : 50



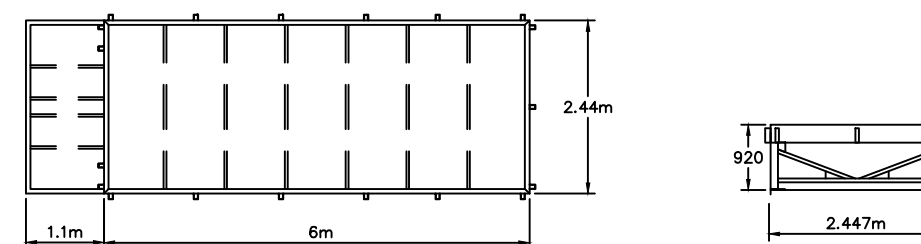
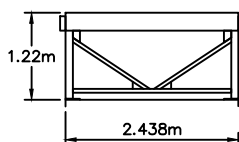
**E**  
T5  
HD-TYPE 1 PLATFORM  
SCALE: 1 : 50



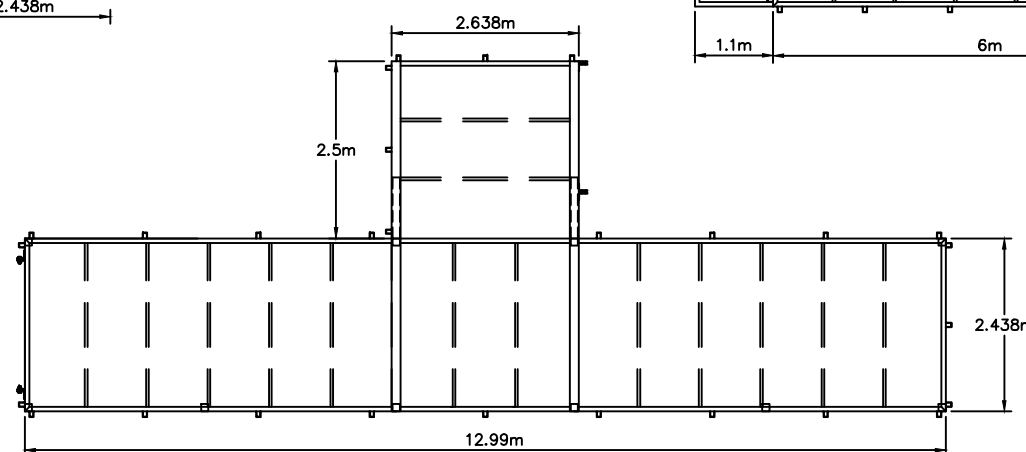
**F**  
T5  
DY-TYPE 2 PLATFORM  
SCALE: 1 : 50



**G**  
T5  
HD-TYPE 2 PLATFORM  
SCALE: 1 : 50



**H**  
T5  
StG-TYPE 1 PLATFORM  
SCALE: 1 : 50



**I**  
T5  
HT-TYPE 1 PLATFORM  
SCALE: 1 : 50

REFERENCE ONLY

Reference Drawings

Structures Section



GENERAL NOTES:

ISSUED FOR: REFERENCE ONLY 2016 09 07

AMENDMENTS:

NO.	REVISION	APP	DATE:

SCALE: 1 : 25

SURVEY

PREPARED BY: DATE:

DESIGN

PREPARED BY: BAP DATE: 23/05/01

CHECKED BY: RRB DATE: 23/05/01

DRAWING

PREPARED BY: JSK DATE: 23/05/01

CHECKED BY: RRB DATE: 23/05/01

APPROVED BY: RRB

PROJECT NUMBER: 61/01/01

PROJECT NAME:

REPLACEMENT FERRY PROJECT  
PHASE 1  
DOCK CONSTRUCTION

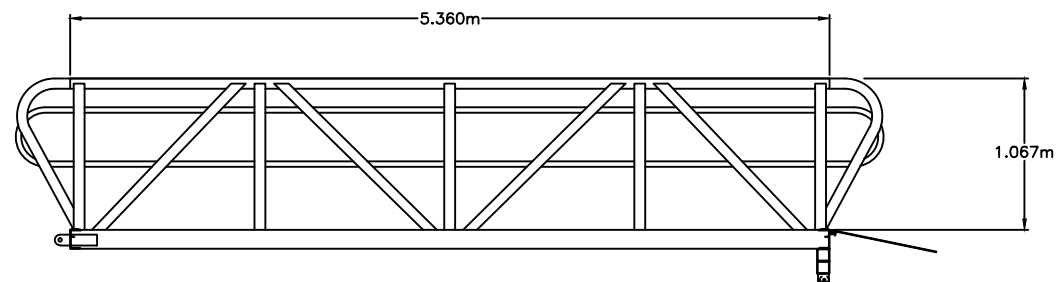
DRAWING FILE NO: ACAD R-14

SHEET TITLE:

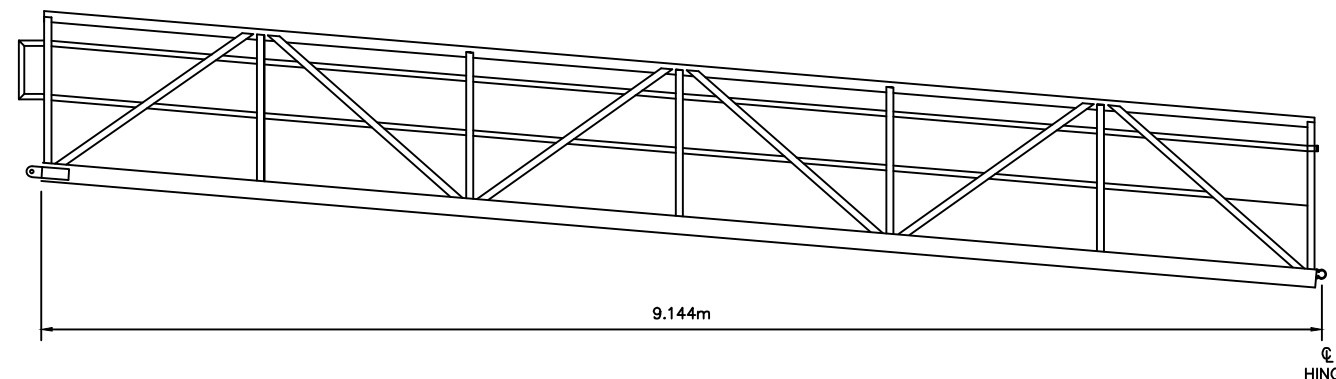
STANDARD ALUMINUM  
GANGWAYS & RAMPS

SHEET NUMBER: REVISION

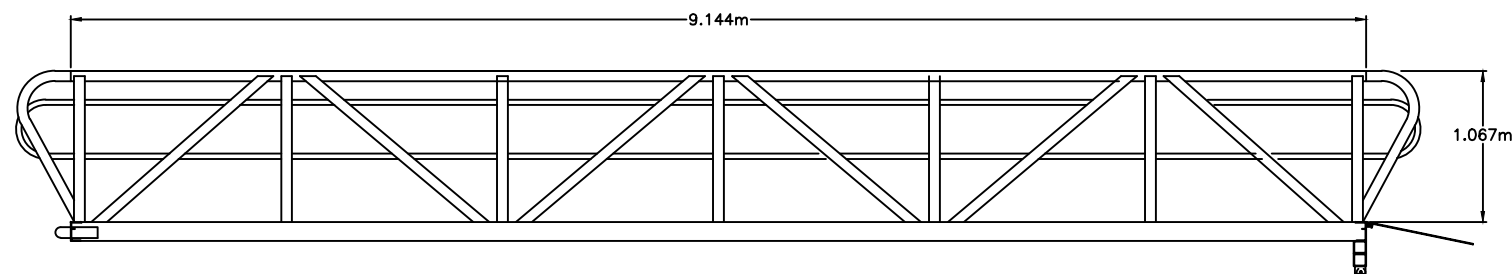
61/01/01/T6



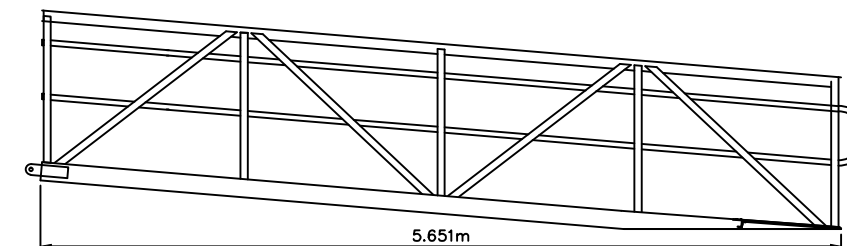
**A** TYPE I GANGWAY - ELEVATION  
T6 SCALE: 1 : 25



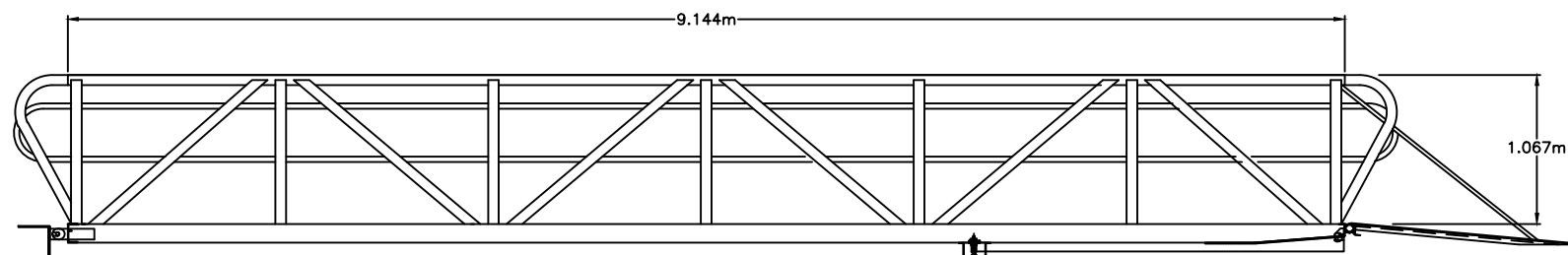
**B** TYPE A RAMP - ELEVATION  
T6 SCALE: 1 : 25



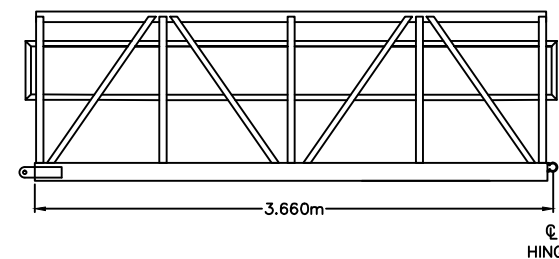
**C** TYPE II GANGWAY - ELEVATION  
T6 SCALE: 1 : 25



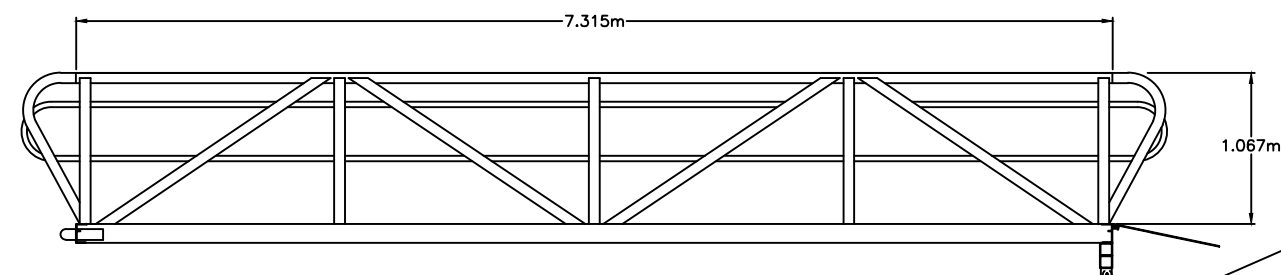
**D** HT-TYPE 1 RAMP - ELEVATION  
T6 SCALE: 1 : 25



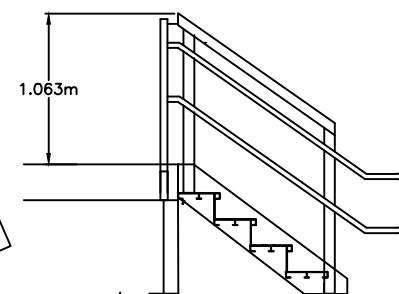
**E** TYPE III GANGWAY - ELEVATION  
T6 SCALE: 1 : 25



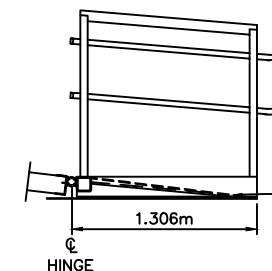
**F** DY-TYPE 1 RAMP - ELEVATION  
T6 SCALE: 1 : 25



**G** TYPE IV GANGWAY - ELEVATION  
T6 SCALE: 1 : 25



**H** STAIRS  
T6 SCALE: 1 : 25



**I** TRANSITION RAMP - ELEVATION  
T6 SCALE: 1 : 25

REFERENCE ONLY

Reference Drawings



Structures Section



- GENERAL NOTES:
- COORDINATES BASED ON BNG 2000.
  - ALL ELEVATIONS ARE IN METERS BASED ON ORDNANCE DATUM.
  - ALL DISTANCES ARE IN METERS.
  - SURVEY CONTROL SHALL BE PROVIDED TO THE CONTRACTOR BY THE OWNER.

ISSUED FOR: CONSTRUCTION 14/08/01

AMENDMENTS:

NO:	REVISION	APP	DATE:
Δ	BARGES II & IV	RRB	04/01/02

SCALE: 1 : 100

SURVEY  
PREPARED BY: DATE:

DESIGN  
PREPARED BY: DATE: 23/05/01  
BAP  
CHECKED BY: DATE: 23/05/01  
RRB

DRAWING  
PREPARED BY: DATE: 23/05/01  
JSK  
CHECKED BY: DATE: 23/05/01  
RRB

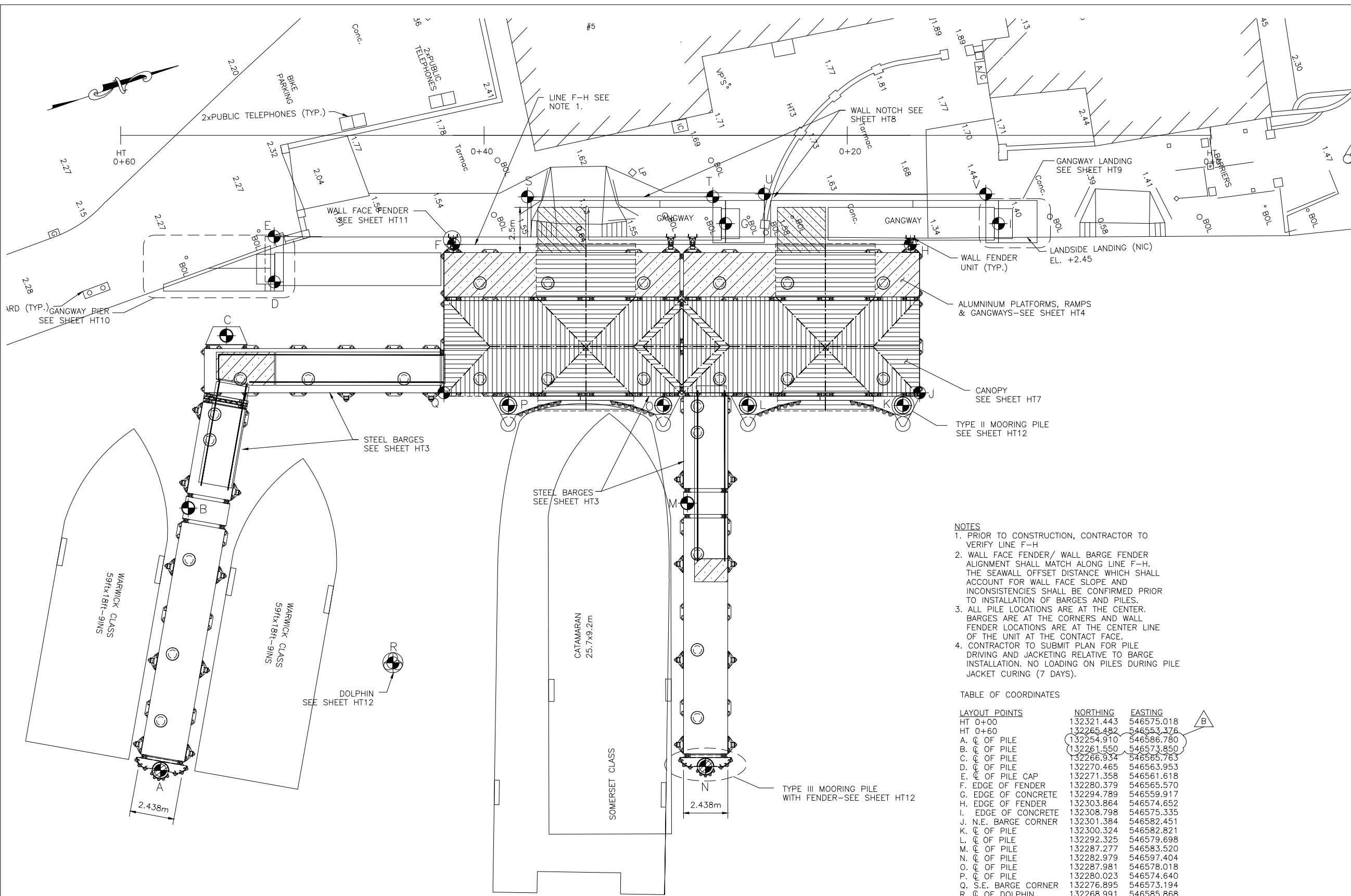
APPROVED BY:  
RRB  
PROJECT NUMBER:  
61/01/01

PROJECT NAME:  
**HAMILTON TERMINAL  
REPLACEMENT FERRY PROJECT  
PHASE 1  
DOCK CONSTRUCTION**

**#1 POINT PLEASANT ROAD  
PEMBROKE PARISH**  
DRAWING FILE NO: ACAD R-14  
HT-4\_Site-Layout.dwg

SHEET TITLE:  
**SITE  
PLAN**

SHEET NUMBER: 3/26/02/HT2 REVISION: Δ



- NOTES
- PRIOR TO CONSTRUCTION, CONTRACTOR TO VERIFY LINE F-H
  - WALL FACE FENDER/ WALL BARGE FENDER ALIGNMENT SHALL MATCH ALONG LINE F-H. THE SEAWALL OFFSET DISTANCE WHICH SHALL ACCOUNT FOR WALL FACE SLOPE AND INCONSISTENCIES SHALL BE CONFIRMED PRIOR TO INSTALLATION OF BARGES AND PILES.
  - ALL PILE LOCATIONS ARE AT THE CENTER. BARGES ARE AT THE CORNERS AND WALL FENDER LOCATIONS ARE AT THE CENTER LINE OF THE UNIT AT THE CONTACT FACE.
  - CONTRACTOR TO SUBMIT PLAN FOR PILE DRIVING AND JACKETING RELATIVE TO BARGE INSTALLATION. NO LOADING ON PILES DURING PILE JACKET CURING (7 DAYS).

TABLE OF COORDINATES

LAYOUT POINTS	NORTHING	EASTING
HT 0+00	132321.443	546575.018
HT 0+60	132265.482	546553.376
A. C. OF PILE	132254.910	546586.780
B. C. OF PILE	132261.550	546573.850
C. C. OF PILE	132266.934	546565.763
D. C. OF PILE	132270.465	546563.953
E. C. OF PILE CAP	132271.358	546561.618
F. EDGE OF FENDER	132280.379	546565.570
G. EDGE OF CONCRETE	132294.789	546559.917
H. EDGE OF FENDER	132303.864	546574.652
I. EDGE OF CONCRETE	132308.798	546575.335
J. N.E. BARGE CORNER	132301.384	546582.451
K. C. OF PILE	132300.324	546582.821
L. C. OF PILE	132292.325	546579.698
M. C. OF PILE	132287.277	546583.520
N. C. OF PILE	132282.979	546597.404
O. C. OF PILE	132287.981	546578.018
P. C. OF PILE	132280.023	546574.640
Q. S.E. BARGE CORNER	132276.895	546573.194
R. C. OF DOLPHIN	132268.991	546585.868
S. COR. OF CONCRETE	132285.149	546564.603
T. COR. OF CONCRETE	132294.670	546568.285
U. COR. OF CONCRETE	132297.365	546569.167
V. COR. OF CONCRETE	132308.732	546573.563

GENERAL LAYOUT PLAN



⊙ A - LAYOUT POINT

CONSTRUCTION  
Reference Drawings

Structures Section



- GENERAL NOTES:
1. COORDINATES BASED ON BNG 2000.
  2. ALL ELEVATIONS ARE IN METERS BASED ON ORDNANCE DATUM.
  3. ALL DISTANCES ARE IN METERS.
  4. SURVEY CONTROL SHALL BE PROVIDED TO THE CONTRACTOR BY THE OWNER.

ISSUED FOR: CONSTRUCTION 14/08/01

AMENDMENTS:

NO:	REVISION	APP	DATE:
A	BARGES II & IV	RRB	04/01/02

SCALE: 1 : 100

SURVEY  
PREPARED BY: DATE:

DESIGN  
PREPARED BY: DATE: 23/05/01  
BAP  
CHECKED BY: DATE: 23/05/01  
RRB

DRAWING  
PREPARED BY: DATE: 23/05/01  
JSK  
CHECKED BY: DATE: 23/05/01  
BAP

APPROVED BY:  
RRB

PROJECT NUMBER:  
61/01/01

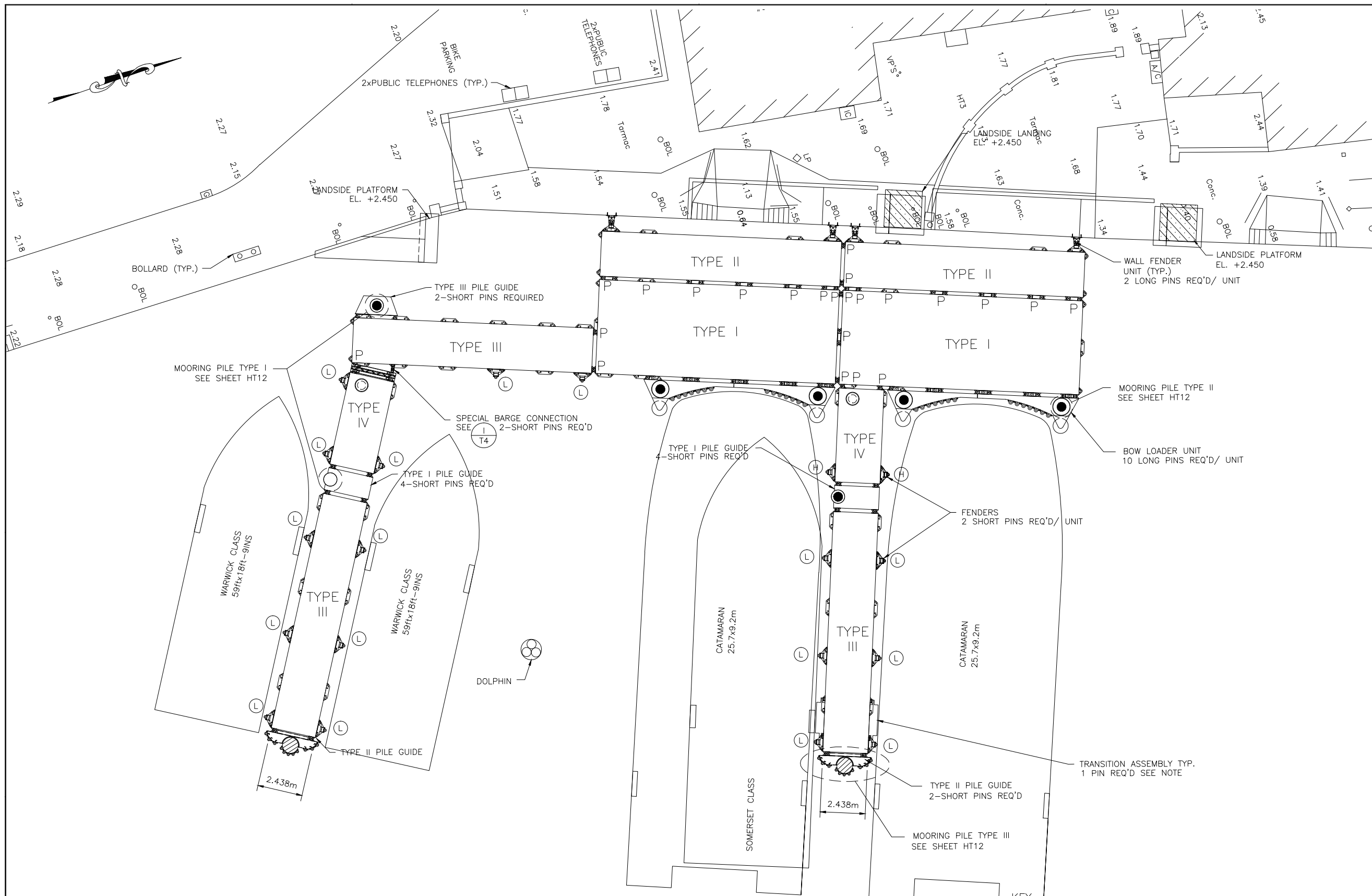
PROJECT NAME:  
HAMILTON TERMINAL  
REPLACEMENT FERRY PROJECT  
PHASE 1  
DOCK CONSTRUCTION

#1 POINT PLEASANT ROAD  
PEMBROKE PARISH

DRAWING FILE NO: ACAD R-14  
HT-3\_Barge-assembly.dwg

SHEET TITLE:  
BARGE ASSEMBLY  
PLAN

SHEET NUMBER: 13/26/02/HT3  
REVISION: B



BARGE LAYOUT

- (L) LOW FENDER - SEE SHEET T4.
- (H) HIGH FENDER - SEE SHEET T4.
- P-BARGE TO BARGE PIN REQUIRED

- NOTE:
1. SEE SHEETS T3 FOR BARGE UNITS.
  2. SEE SHEETS T4 FOR PILE GUIDE UNITS.
  3. TRANSITION ASSEMBLY TO USE COMMON PIN W/ BARGE FENDER.

CONSTRUCTION

Reference Drawings



Structures Section



GENERAL NOTES:

- COORDINATES BASED ON BNG 2000.
- ALL ELEVATIONS ARE IN METERS BASED ON ORDNANCE DATUM.
- ALL DISTANCES ARE IN METERS.
- SURVEY CONTROL SHALL BE PROVIDED TO THE CONTRACTOR BY THE OWNER.

ISSUED FOR: CONSTRUCTION 14/08/01

AMENDMENTS:

NO.	REVISION	APP	DATE:
A	BARGES II & IV	RRB	04/01/02

SCALE: 1 : 100

SURVEY

PREPARED BY: DATE:

DESIGN

PREPARED BY: BAP DATE: 23/05/01  
CHECKED BY: RRB DATE: 23/05/01

DRAWING

PREPARED BY: JSK DATE: 23/05/01  
CHECKED BY: BAP DATE: 23/05/01

APPROVED BY:  
RRB

PROJECT NUMBER:  
61/01/01

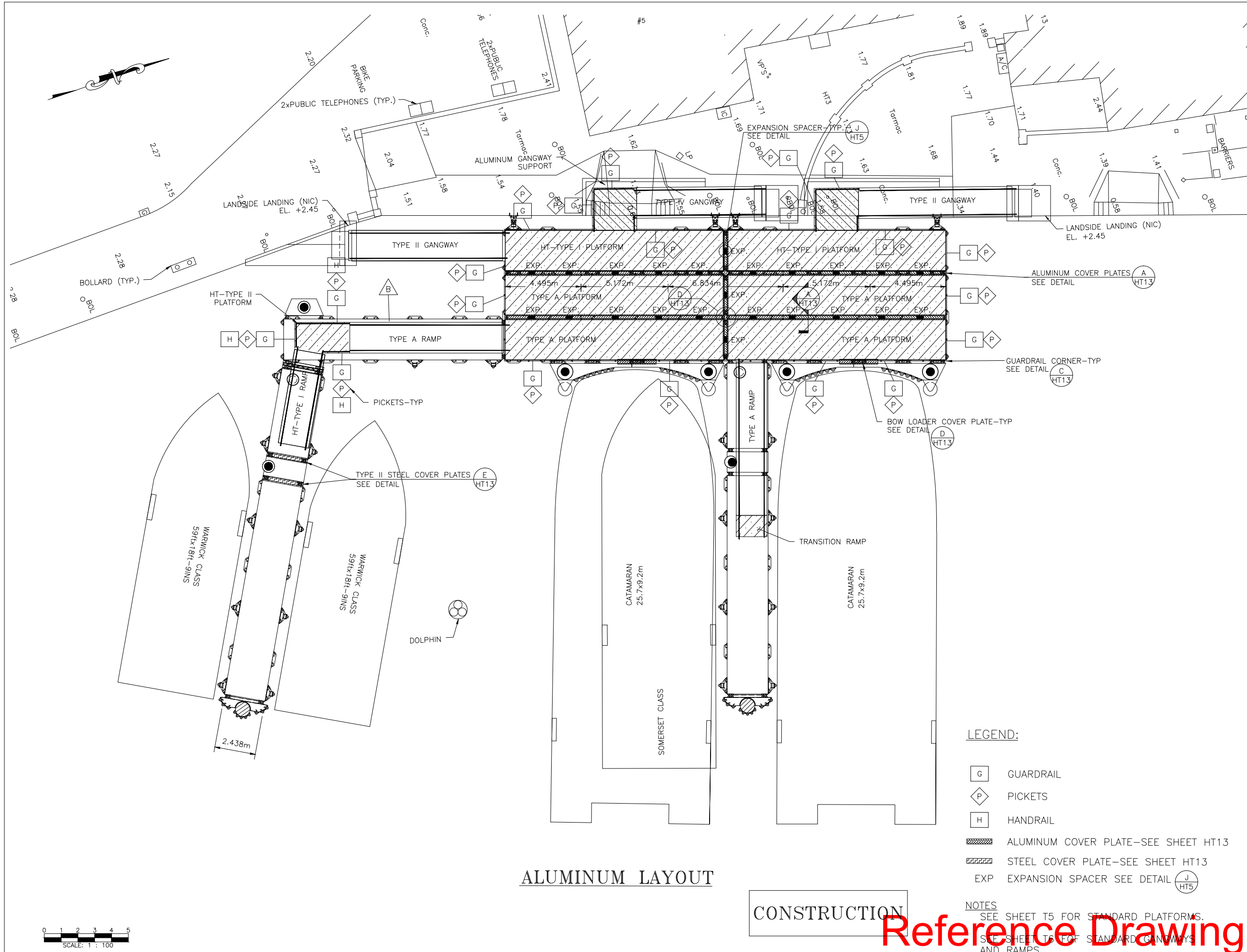
PROJECT NAME:  
**HAMILTON TERMINAL  
REPLACEMENT FERRY PROJECT  
PHASE 1  
DOCK CONSTRUCTION**

**#1 POINT PLEASANT ROAD  
PEMBROKE PARISH**

DRAWING FILE NO: ACAD R-14  
HT-4\_Alum-Assembly.dwg

SHEET TITLE:  
**ALUMINUM  
ASSEMBLY PLAN**

SHEET NUMBER: 13/26/02/HT4  
REVISION: A



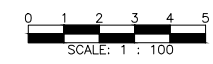
LEGEND:

- G GUARDRAIL
- P PICKETS
- H HANDRAIL
- ALUMINUM COVER PLATE-SEE SHEET HT13
- STEEL COVER PLATE-SEE SHEET HT13
- EXP EXPANSION SPACER SEE DETAIL

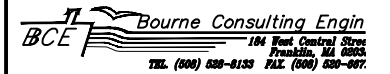
NOTES:  
SEE SHEET T5 FOR STANDARD PLATFORMS.  
SEE SHEET T6 FOR STANDARD GANGWAYS AND RAMP.

CONSTRUCTION

Reference Drawings



Structures Section



GENERAL NOTES:

ISSUED FOR: CONSTRUCTION 14/08/01

AMENDMENTS:

NO:	REVISION	APP	DATE:
A	REVISED AS NOTED	RRB	04/01/02

SCALE: AS NOTED

SURVEY

PREPARED BY: DATE:

DESIGN

PREPARED BY: BAP DATE: 23/05/01

CHECKED BY: RRB DATE: 23/05/01

DRAWING

PREPARED BY: JSK DATE: 23/05/01

CHECKED BY: BAP DATE: 23/05/01

APPROVED BY: RRB

PROJECT NUMBER: 61/01/01

PROJECT NAME:

HAMILTON TERMINAL  
REPLACEMENT FERRY PROJEC  
PHASE 1  
DOCK CONSTRUCTION

#1 POINT PLEASANT ROAD  
PEMBROKE PARISH

DRAWING FILE NO: ACAD R-14

HT-5 Assembly-Connections.dwg

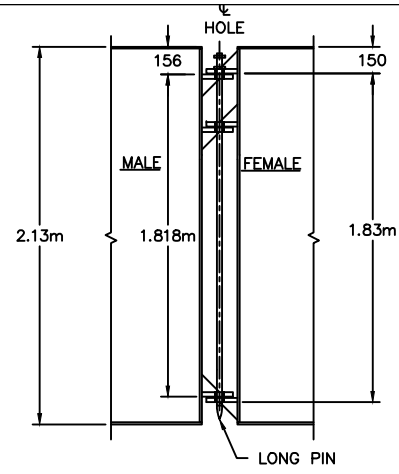
SHEET TITLE:

ASSEMBLY  
CONNECTION DETAILS

SHEET NUMBER: 13/26/02/HT5

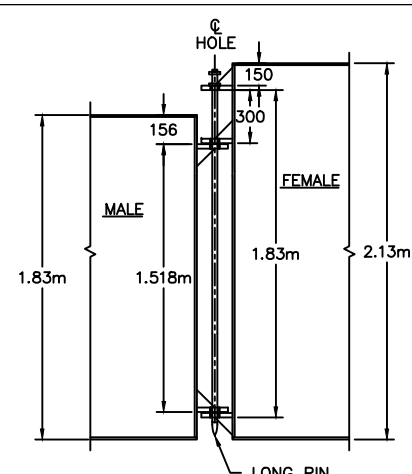
REVISION

A



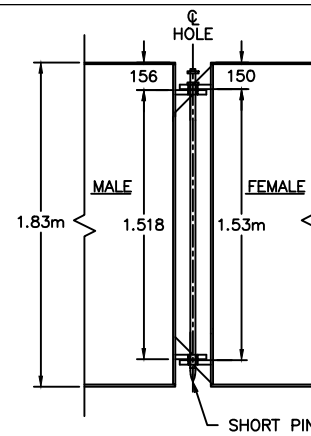
**A** HIGH BARGE CONNECTION

SCALE: 1 : 20



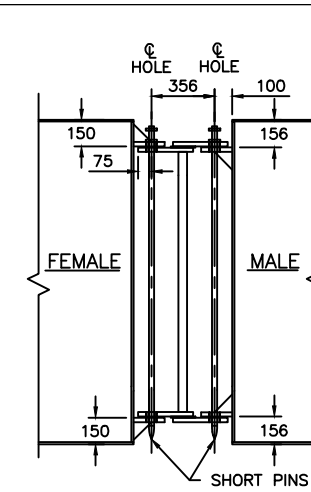
**B** HIGH/LOW BARGE CONNECTION

SCALE: 1 : 20



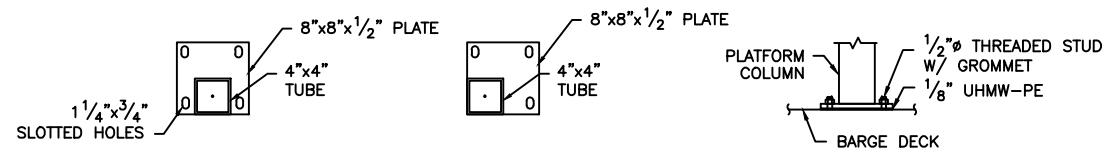
**C** LOW BARGE CONNECTION  
PILE GUIDE CONN. SIMILAR

SCALE: 1 : 20



**D** BARGE CONNECTION - DETAIL

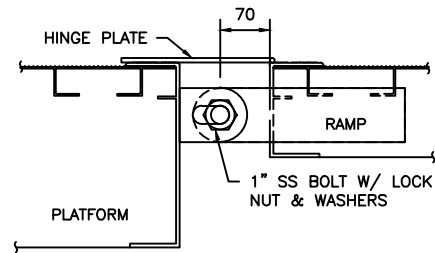
SCALE: 1 : 20



NOTE:  
CONNECTION SHALL BE 4-1/2" SS THD' STUDS W/GROMMET,  
NUT & WASHER WITH 1/8"x9"x9" UHMW-PE BELOW BASE PLATE

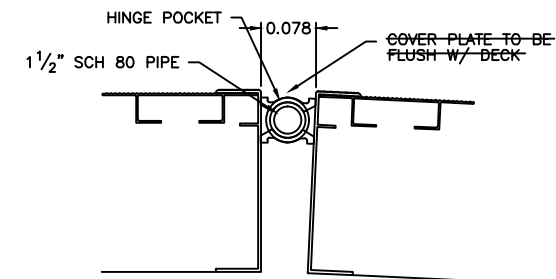
**E** PLATFORM BASE CONNECTION

SCALE: 1 : 10



**F** RAMP TO PLATFORM CONNECTION

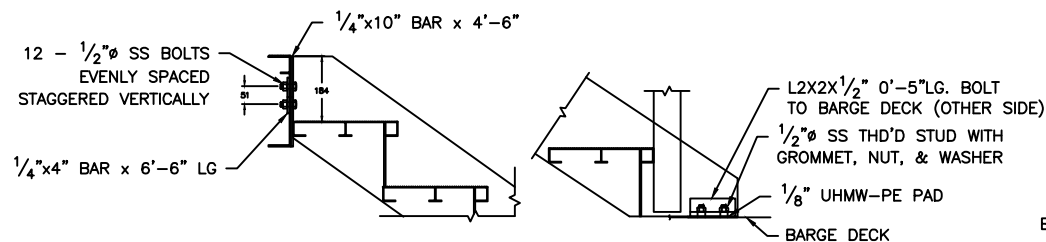
SCALE: 1 : 5



NOTE  
SECURE SCH 80 PIPE TO PREVENT LONGITUDINAL MOVEMENT

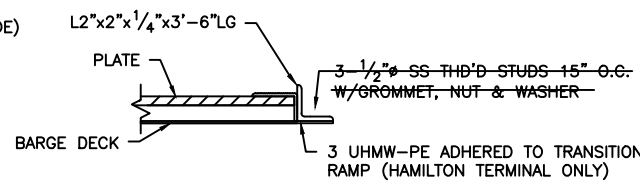
**G** STANDARD HINGE POCKET CONNECTION

SCALE: 1 : 5



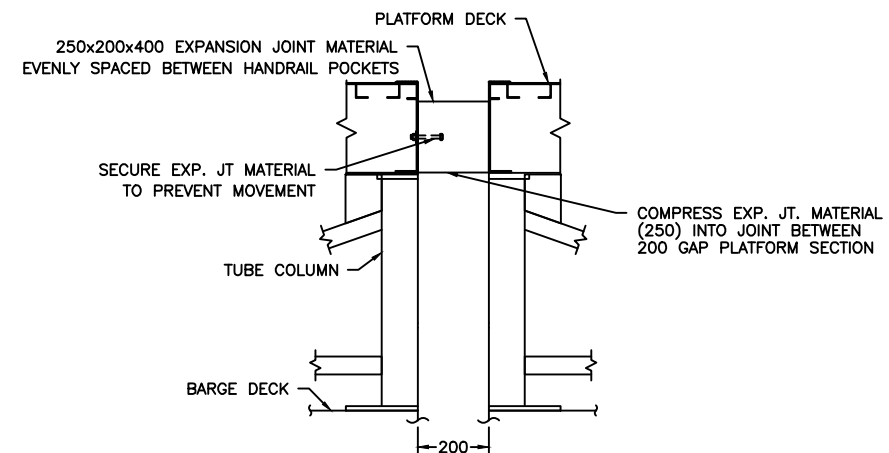
**H** STAIR CONNECTIONS

SCALE: 1 : 10



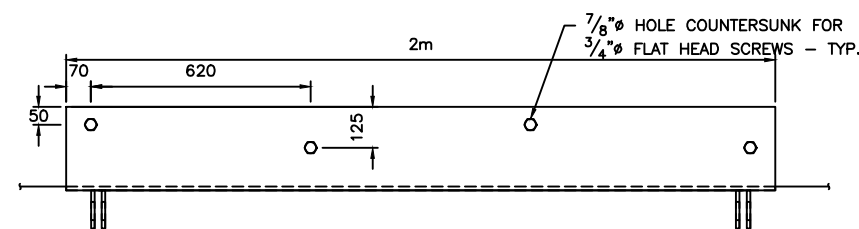
**I** TRANSITION CONNECTION

SCALE: 1 : 5



**J** PLATFORM TO PLATFORM  
CONNECTION

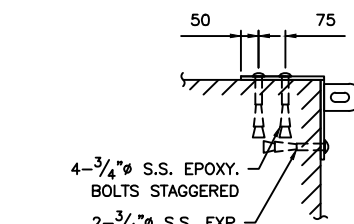
SCALE: 1 : 10



**K** PLAN

**K** GANGWAY LANDSIDE CONNECTION - STANDARD DETAIL

SCALE: 1 : 10



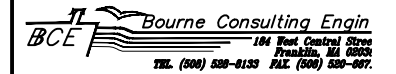
**L** SECTION

Reference Drawings

CONSTRUCTION



Structures Section



GENERAL NOTES:

ISSUED FOR: CONSTRUCTION 14/08/01

AMENDMENTS:

NO:	REVISION	APP	DATE:
B	HOOP ORIENTATION	RRB	04/01/02
C	BALLAST LAYOUT	RRB	11/01/02

SCALE: 1 : 100

SURVEY

PREPARED BY: DATE: 23/05/01

DESIGN

PREPARED BY: BAP DATE: 23/05/01  
CHECKED BY: RRB DATE: 23/05/01

DRAWING

PREPARED BY: JSK DATE: 23/05/01  
CHECKED BY: BAP DATE: 23/05/01

APPROVED BY:  
RRB

PROJECT NUMBER:  
61/01/01

PROJECT NAME:

HAMILTON TERMINAL  
REPLACEMENT FERRY PROJEC  
PHASE 1  
DOCK CONSTRUCTION

#1 POINT PLEASANT ROAD  
PEMBROKE PARISH

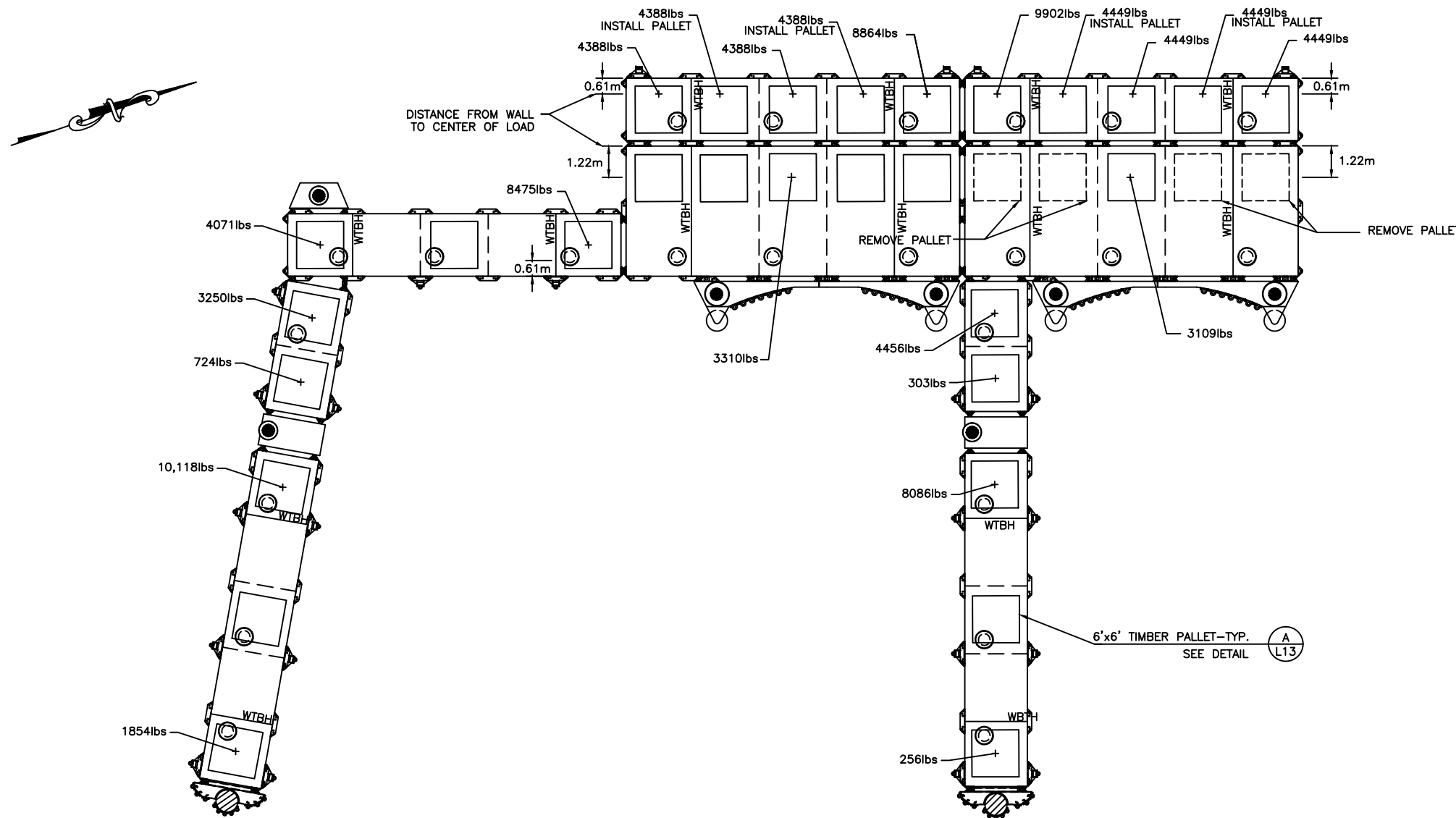
DRAWING FILE NO: ACAD R-14  
HT-6\_Ballasting\_Plan

SHEET TITLE:

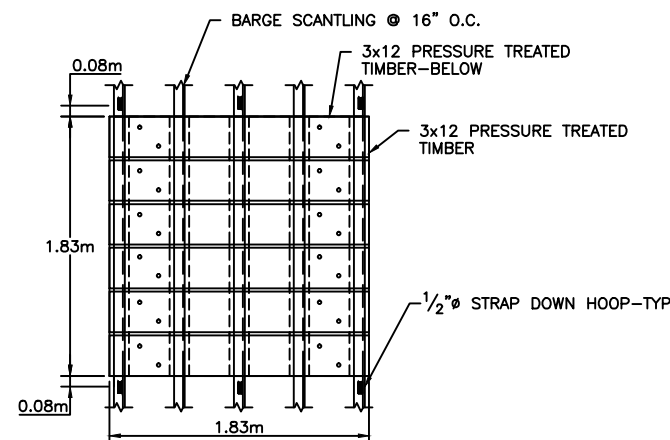
BALLASTING  
PLAN

SHEET NUMBER:  
13/26/02/HT6

REVISION  
A



HAMILTON TERMINAL



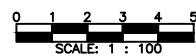
BALLAST PALLET-PLAN

SCALE: 1 : 25

NOTES:

- BALLAST LOADS ARE SHOWN AT CENTER OF BAY UNLESS NOTED OTHERWISE.
- BALLAST TO BE REMOVABLE CONCRETE BLOCK OR LEAD.
- BALLAST SHALL BE INSTALLED ON TIMBER PALLETS AT LOCATIONS SHOWN. PALLETS SUPPLIED WITH BARGES.

CONSTRUCTION



SCALE: 1 : 100

Reference Drawings





Structures Section

GENERAL NOTES:

ISSUED FOR: CONSTRUCTION 14/08/01

AMENDMENTS:

NO:	REVISION	APP	DATE:

SCALE: AS NOTED

SURVEY

PREPARED BY: DATE:

DESIGN

PREPARED BY: BAP DATE: 23/05/01

CHECKED BY: RRB DATE: 23/05/01

DRAWING

PREPARED BY: RFG DATE: 23/05/01

CHECKED BY: RRB DATE: 23/05/01

APPROVED BY: RRB

PROJECT NUMBER: 61/01/01

PROJECT NAME:

HAMILTON TERMINAL  
REPLACEMENT FERRY PROJEC  
PHASE 1  
DOCK CONSTRUCTION

#1 POINT PLEASANT ROAD  
PEMBROKE PARISH

DRAWING FILE NO: ACAD R-14

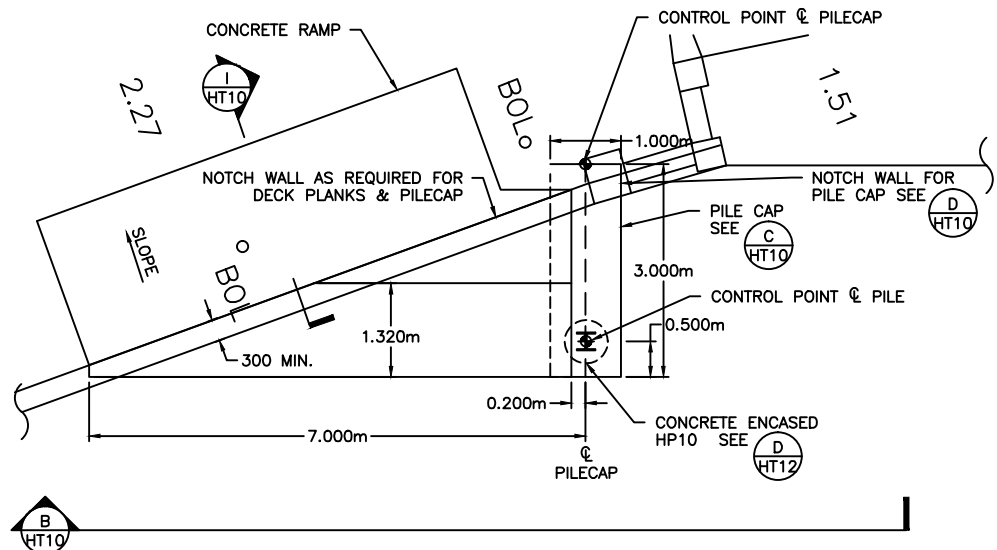
HT-10\_Gandway\_Pier\_Ext.dwg

SHEET TITLE:

GANGWAY PIER  
EXTENTION

SHEET NUMBER: 13/26/02/HT10

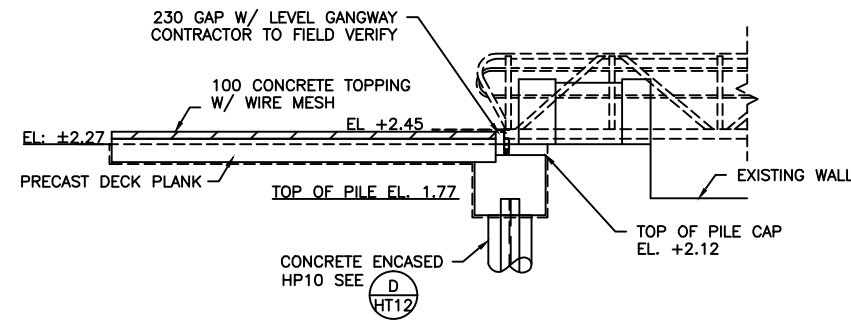
REVISION



GANGWAY PIER  
EXTENTION-PLAN

A  
HT10

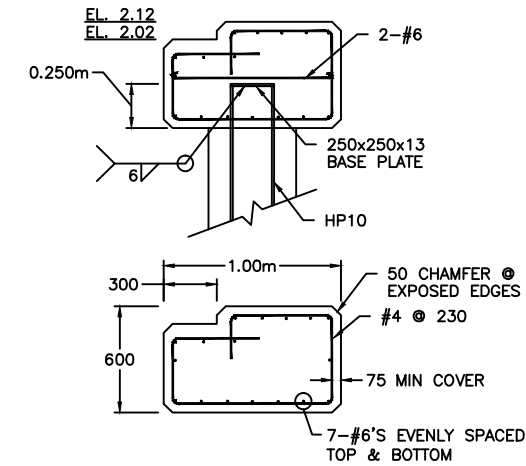
SCALE: 1 : 50



GANGWAY PIER  
EXTENTION-ELEVATION

B  
HT10

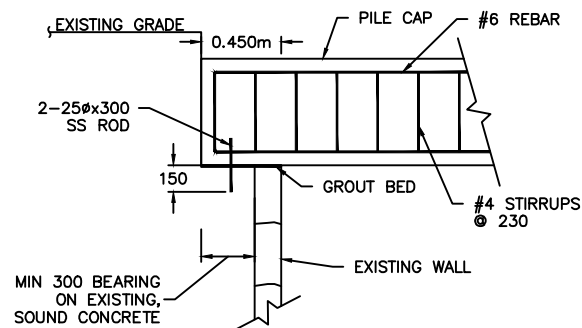
SCALE: 1 : 50



PILE CAP-REINFORCING

C  
HT10

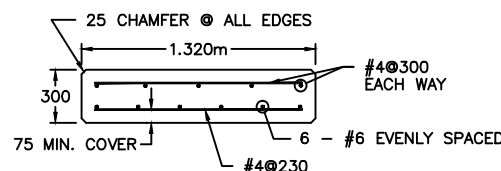
SCALE: 1 : 20



PILE CAP NOTCH

D  
HT10

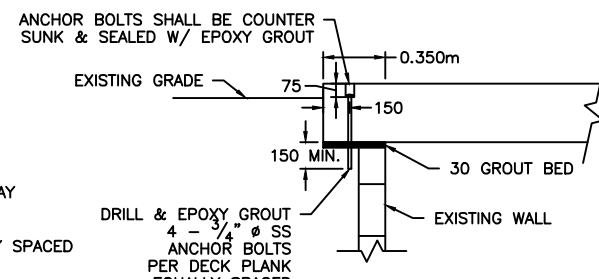
SCALE: 1 : 20



PIER SLAB-REINFORCING

E  
HT10

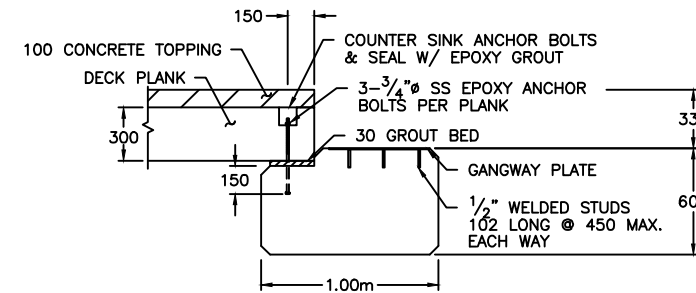
SCALE: 1 : 20



SLAB / WALL CONNECTION

F  
HT10

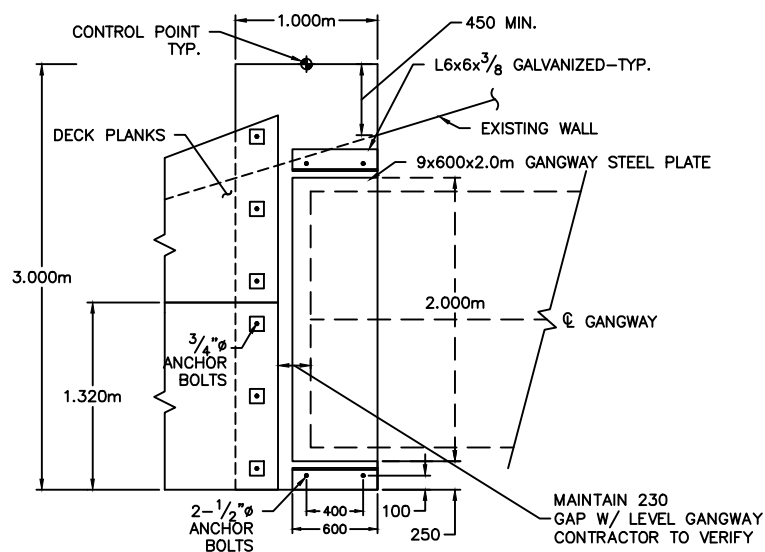
SCALE: 1 : 20



PILE CAP-DETAIL

G  
HT10

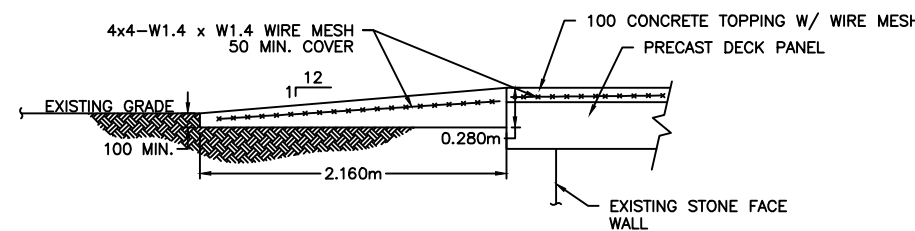
SCALE: 1 : 20



PILE CAP PLAN

H  
HT10

SCALE: 1 : 25

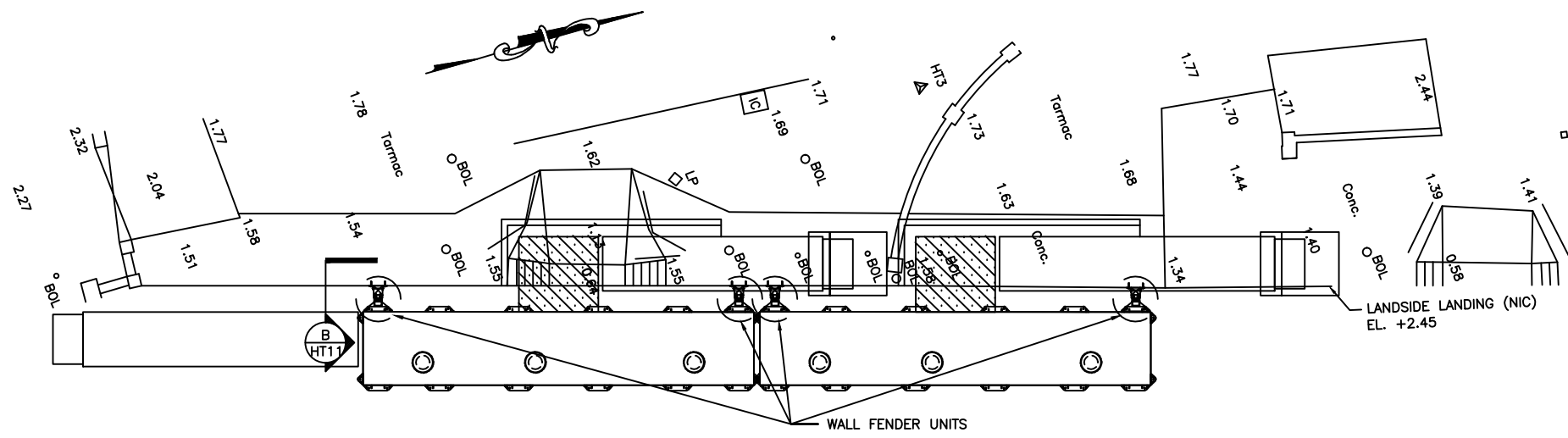


TRANSITION RAMP

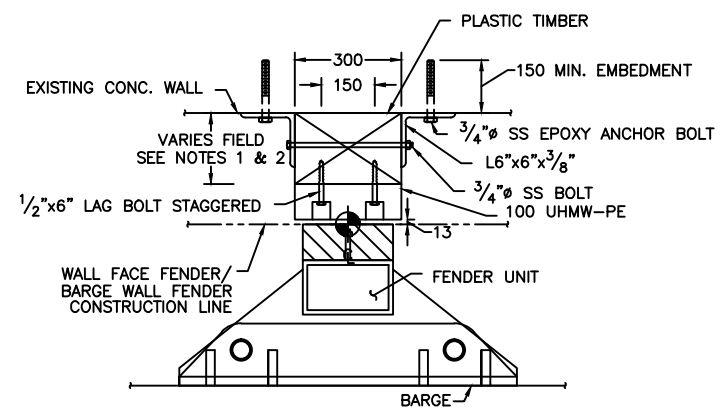
I  
HT10

SCALE: 1 : 25

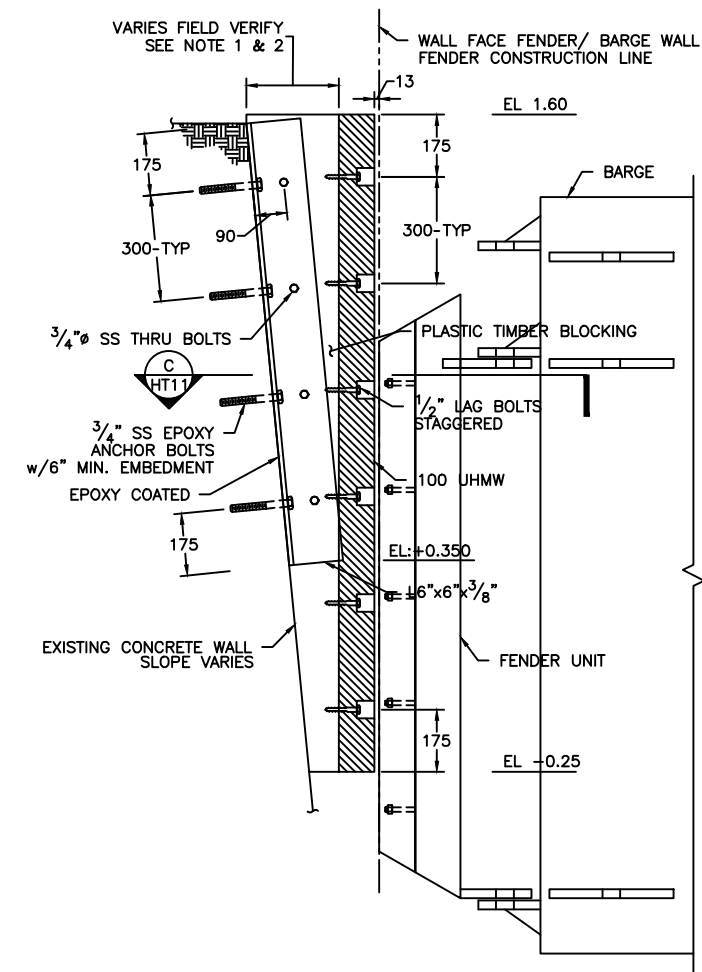
Reference CONSTRUCTION Drawings



**TERMINAL PARTIAL PLAN**  
 SCALE: 1 : 50



**WALL FENDER PLAN**  
 SCALE: 1 : 10



**WALL FENDER DETAIL**  
 SCALE: 1 : 10

- NOTES
1. PLASTIC TIMBER SHALL HAVE MINIMUM THICKNESS OF 100mm @ EL:+0.35.
  2. CONTRACTOR TO FIELD VERIFY SEAWALL SLOPE AND FINAL WALL FACE FENDER/ BARGE WALL FENDER CONSTRUCTION LINE.

**THE MINISTRY OF WORKS AND ENGINEERING**

P.O. Box HM525 Hamilton HM CX Bermuda  
 Phone: (441)295-5151

ENGINEERING and OPERATIONS DIVISION  
 Fax: (441)295-0170

**Structures Section**

*Bourne Consulting Engin*  
 BCE 184 West Central Street  
 Providence, RI 02903  
 TEL. (508) 828-8133 FAX. (508) 828-8977

GENERAL NOTES:

ISSUED FOR: CONSTRUCTION 14/08/01

AMENDMENTS:

NO:	REVISION	APP	DATE:

SCALE: AS NOTED

SURVEY  
 PREPARED BY: DATE:

DESIGN  
 PREPARED BY: BAP DATE: 23/05/01  
 CHECKED BY: RRB DATE: 23/05/01

DRAWING  
 PREPARED BY: JSK DATE: 23/05/01  
 CHECKED BY: BAP DATE: 23/05/01

APPROVED BY: RRB

PROJECT NUMBER: 61/01/01

PROJECT NAME:  
**HAMILTON TERMINAL REPLACEMENT FERRY PROJECT PHASE 1 DOCK CONSTRUCTION**

**#1 POINT PLEASANT ROAD PEMBROKE PARISH**

DRAWING FILE NO: HT-11\_Wall-Fender.dwg ACAD R-14

SHEET TITLE:  
**WALL FENDER**

SHEET NUMBER: 13/26/02/HT11 REVISION:  $\Delta$

Reference CONSTRUCTION Drawings

Structures Section

GENERAL NOTES:

ISSUED FOR: CONSTRUCTION 14/08/01

AMENDMENTS:

NO:	REVISION	APP	DATE:
A	WEAR SURFACE	RRB	04/01/02

SCALE: AS NOTED

SURVEY

PREPARED BY: DATE:

DESIGN

PREPARED BY: BAP DATE: 23/05/01

CHECKED BY: RRB DATE: 23/05/01

DRAWING

PREPARED BY: BAP DATE: 23/05/01

CHECKED BY: RRB DATE: 23/05/01

APPROVED BY: RRB

PROJECT NUMBER: 61/01/01

PROJECT NAME:

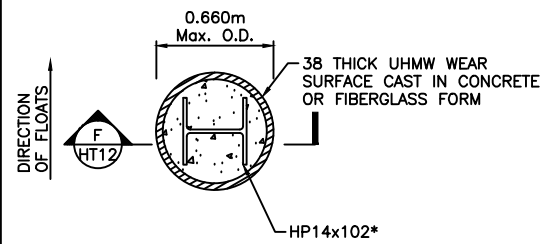
HAMILTON TERMINAL  
REPLACEMENT FERRY PROJECT  
PHASE 1  
DOCK CONSTRUCTION

#1 POINT PLEASANT ROAD  
PEMBROKE PARISH

DRAWING FILE NO: ACAD R-14  
HT-12 Mooring Piles.dwg

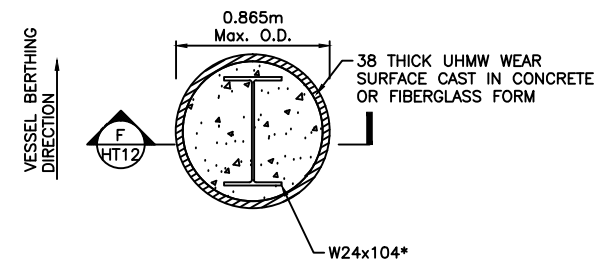
SHEET TITLE:  
MOORING PILES

SHEET NUMBER: 13/26/02/HT12 REVISION: A



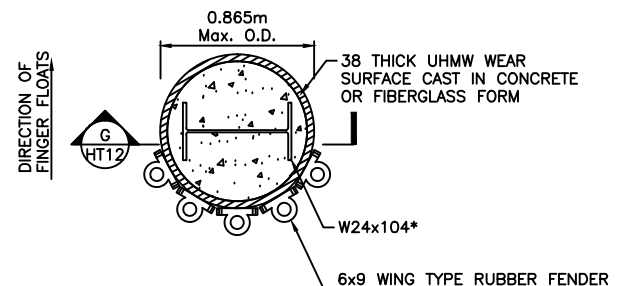
\* NOTE: PILE SHALL BE ORIENTED PERPENDICULAR TO FLOATS

A HT12  
TYPE I MOORING PILE  
SCALE: 1 : 20



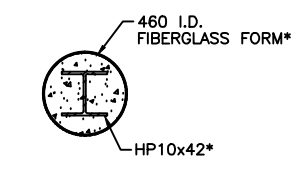
\* NOTE: PILE SHALL BE ORIENTED IN VESSEL BERTHING DIRECTION

B HT12  
TYPE II MOORING PILE  
SCALE: 1 : 20



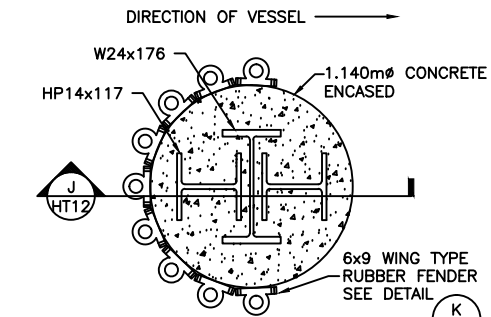
\* NOTE: PILE SHALL BE ORIENTED PERPENDICULAR TO FINGER FLOATS

C HT12  
TYPE III MOORING PILE  
SCALE: 1 : 20

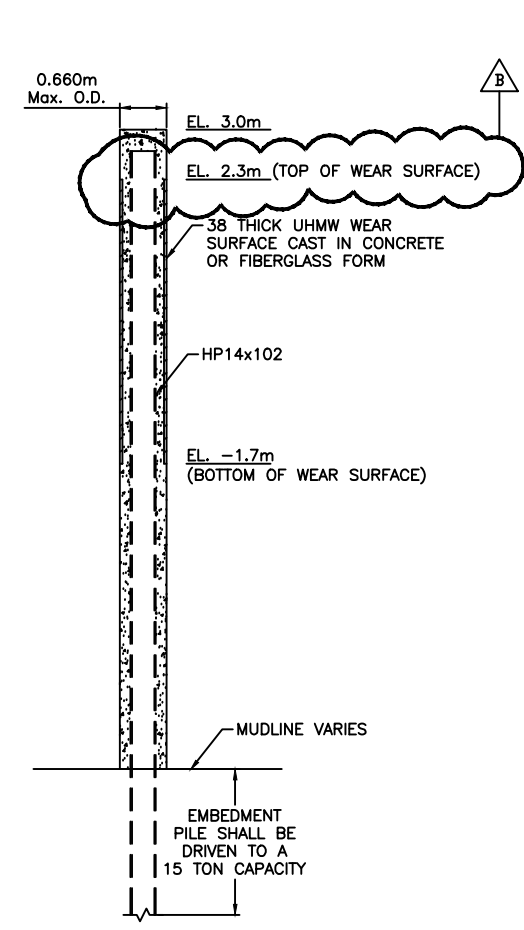


\* ONE OR TWO PIECE REMOVABLE FORMS ALLOWED

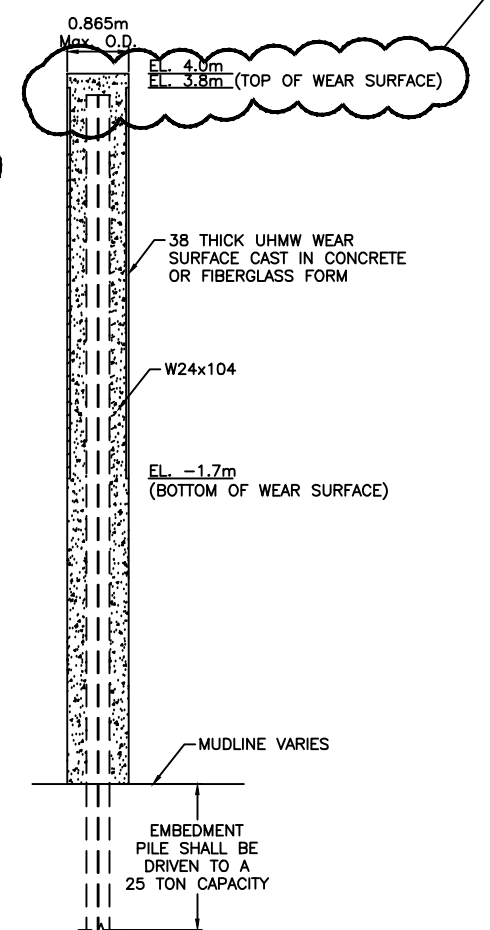
D HT12  
STANDARD BEARING PILE  
SCALE: 1 : 20



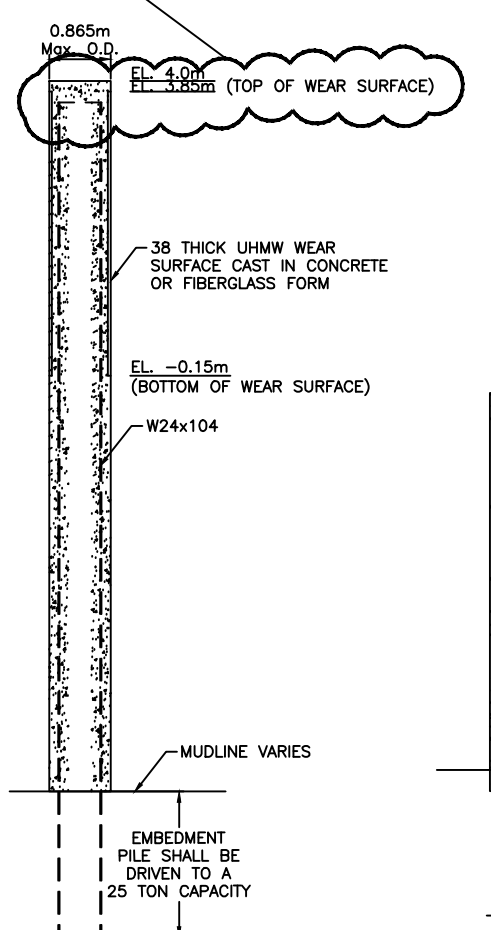
E HT12  
SIDE DOLPHIN PLAN @ ELEV. 0.0M  
SCALE: 1 : 20



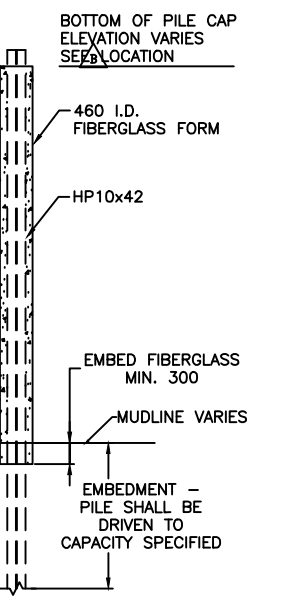
F HT12  
TYPE I MOORING PILE - SECTION  
SCALE: 1 : 50



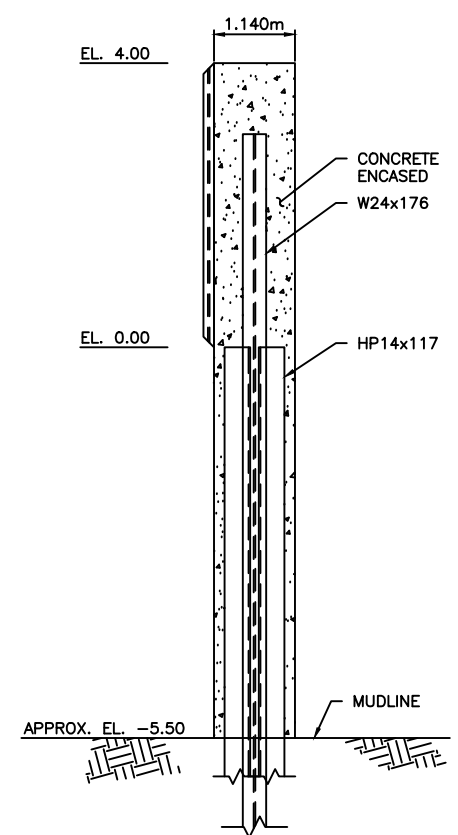
G HT12  
TYPE II MOORING PILE - SECTION  
SCALE: 1 : 50



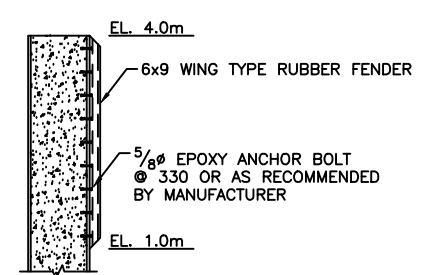
H HT12  
TYPE III MOORING PILE - SECTION  
SCALE: 1 : 50



I HT12  
STANDARD BEARING PILE - SECTION  
SCALE: 1 : 50



J HT12  
SIDE DOLPHIN - SECTION  
SCALE: 1 : 50



K HT12  
RUBBER UNIT - CONNECTION  
SCALE: 1 : 50

NOTE: FIBERGLASS FORMS MAYBE 1 OR 2 PIECE REMOVABLE FORMS

PILE TYPE	ASSUMED TIP ELEV. FOR TENDER
MOORING PILE TYPE I	-37.5
MOORING PILE TYPE II	-37.5
MOORING PILE TYPE III	-37.5
STD. BEARING PILE	-37.5
DOLPHIN	-37.5

CONSTRUCTION Reference Drawings

GENERAL NOTES:

ISSUED FOR: CONSTRUCTION 14/08/01

AMENDMENTS:

NO:	REVISION	APP	DATE:
△	TYPE I PLATE	RRB	04/01/02

SCALE: AS NOTED

SURVEY  
PREPARED BY: DATE:

DESIGN  
PREPARED BY: BAP DATE: 23/05/01  
CHECKED BY: RRB DATE: 23/05/01

DRAWING  
PREPARED BY: JSK DATE: 23/05/01  
CHECKED BY: BAP DATE: 23/05/01

APPROVED BY: RRB

PROJECT NUMBER:  
61/01/01

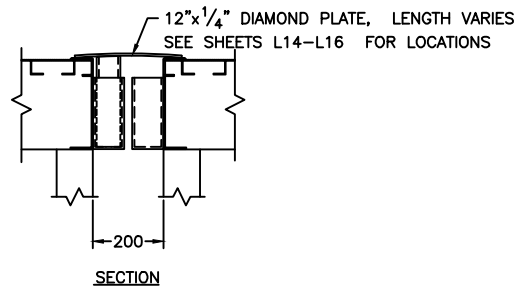
PROJECT NAME:  
**HAMILTON TERMINAL  
REPLACEMENT FERRY PROJEC  
PHASE 1  
DOCK CONSTRUCTION**

**#1 POINT PLEASANT ROAD  
PEMBROKE PARISH**

DRAWING FILE NO: ACAD R-14  
HT-13 Misc. Details.dwg

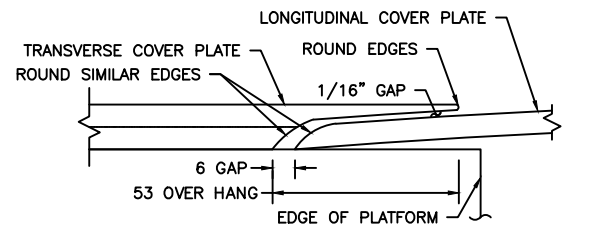
SHEET TITLE:  
**MISC.  
DETAILS**

SHEET NUMBER: 13/26/02/HT13 REVISION: △



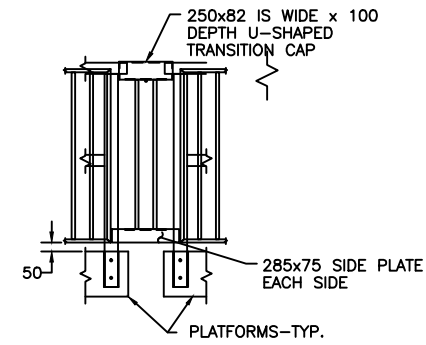
**PLATFORM TO PLATFORM TRANSITION PLATE**

SCALE: 1 : 10



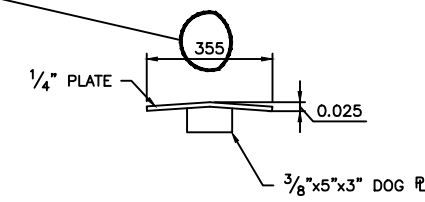
**COVER PLATE CROSSING-SECTION**

SCALE: 1 : 1



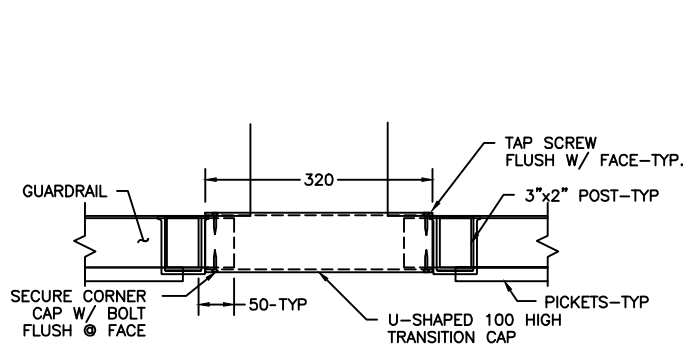
**HANDRAIL CONNECTION**

SCALE: 1 : 20



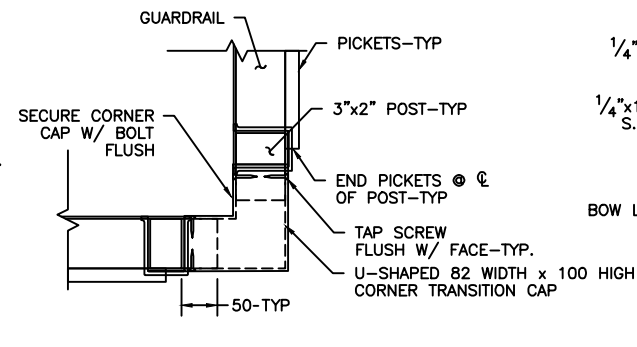
**SECTION**

SCALE: 1 : 10



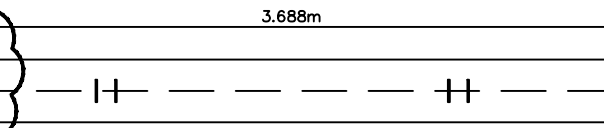
**GUARDRAIL TRANSITION**

SCALE: 1 : 5



**BOW LOADER COVER PLATE**

SCALE: 1 : 10



**TYPE I PLATE**

**TYPE II PLATE**

**STEEL BARGE COVER PLATES**

SCALE: 1 : 20

Reference CONSTRUCTION Drawings

Structures Section



GENERAL NOTES:

1. COORDINATES BASED ON BNG 2000.
2. ALL ELEVATIONS ARE IN METERS BASED ON ORDNANCE DATUM.
3. ALL DISTANCES ARE IN METERS.
4. SURVEY CONTROL SHALL BE PROVIDED TO THE CONTRACTOR BY THE OWNER.

ISSUED FOR: CONSTRUCTION 14/08/01

AMENDMENTS:

NO:	REVISION	APP	DATE:

SCALE: 1 : 200

SURVEY

PREPARED BY: DATE:

DESIGN

PREPARED BY: BAP DATE: 23/05/01

CHECKED BY: RRB DATE: 23/05/01

DRAWING

PREPARED BY: JSK DATE: 23/05/01

CHECKED BY: BAP DATE: 23/05/01

APPROVED BY:

RRB

PROJECT NUMBER:

61/01/01

PROJECT NAME:

DOCKYARD  
REPLACEMENT FERRY PROJECT  
PHASE 1  
DOCK CONSTRUCTION

DOCKYARD TERRACE  
SANDYS PARISH

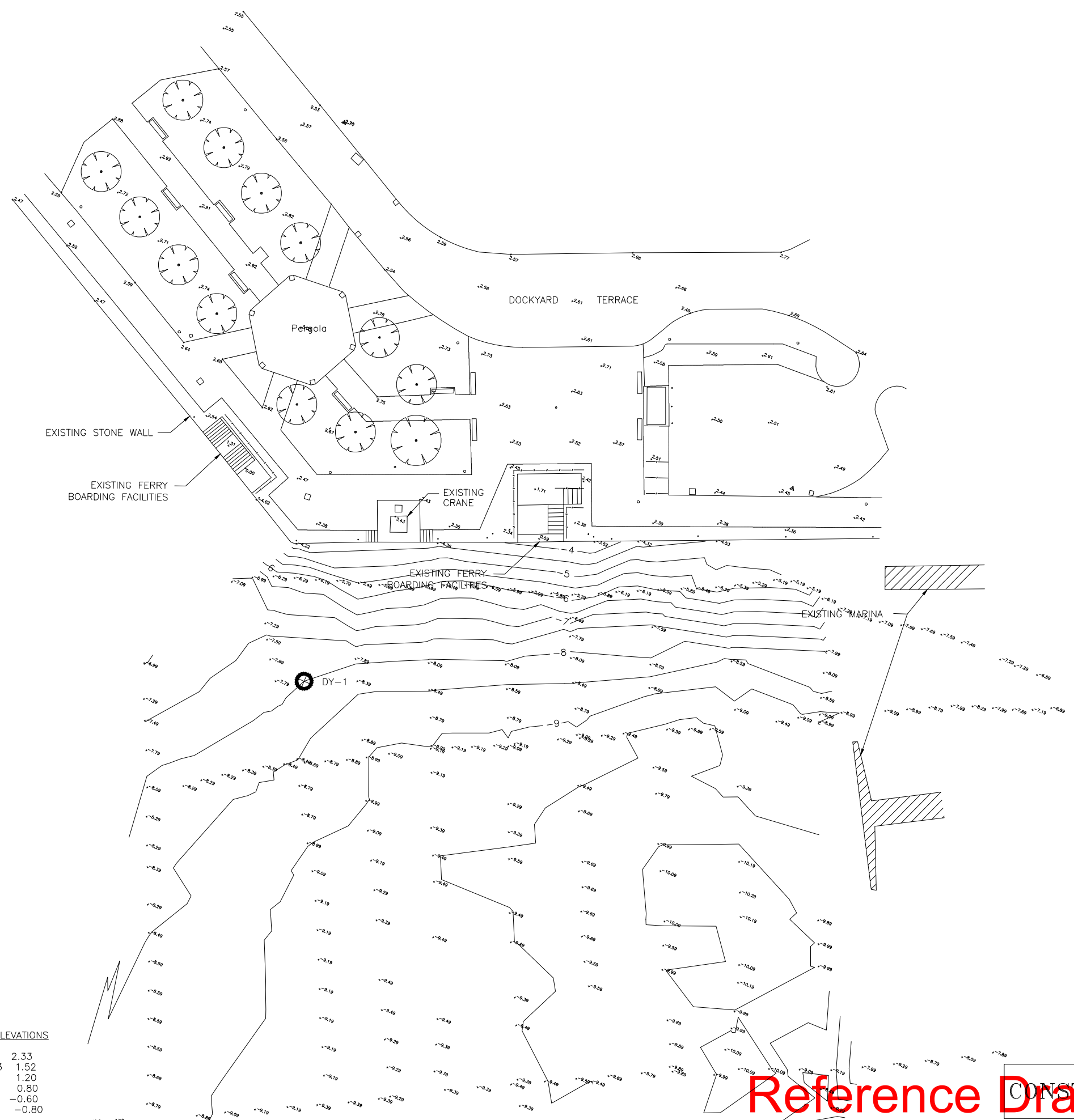
DRAWING FILE NO: ACAD R-14  
DY-01\_Exist Cond.dwg

SHEET TITLE:

EXISTING  
CONDITIONS

SHEET NUMBER: REVISION

61/45/01/DY1



TEST PILE DRIVING LOGS	
DY-1	
DEPTH	HAMMER BLOWS/FT
MUDLINE EL: -8.2m	
0 FT	(BARGE HEIGHT) START
50	0
55	0
60	0
65	4
70	3
75	8
80	8
85	16
90	11
95	21
100	21
105	25
110	42 END
PILE: HP12x87	
HAMMER: DELMAG D8-22	
ENERGY: 18,000/9,500 FT-lbs/BLOW	

NOTES  
DY-1 TEST PILE LOCATION.  
ALL PILES EXTRACTED.  
PERFORMED DECEMBER 2000.

DESIGN WATER ELEVATIONS		
HURR.	CAT. 5	2.33
	CAT. 3	1.52
	EHW	1.20
	MHW	0.80
	MLW	-0.60
	ELW	-0.80



Reference Drawings







GENERAL NOTES:

ISSUED FOR: CONSTRUCTION 14/08/01

AMENDMENTS:

NO:	REVISION	APP	DATE:
Δ	COVER PLATE	RRB	04/01/02

SCALE: AS NOTED

SURVEY

PREPARED BY: DATE:

DESIGN

PREPARED BY: BAP DATE: 23/05/01

CHECKED BY: RRB DATE: 23/05/01

DRAWING

PREPARED BY: JSK DATE: 23/05/01

CHECKED BY: BAP DATE: 23/05/01

APPROVED BY: RRB

PROJECT NUMBER: 61/01/01

PROJECT NAME:

DOCKYARD

REPLACEMENT FERRY PROJEC

PHASE 1

DOCK CONSTRUCTION

DOCKYARD TERRACE

SANDYS PARISH

DRAWING FILE NO: ACAD R-14

DY-4 Assembly-Connections.dwg

SHEET TITLE:

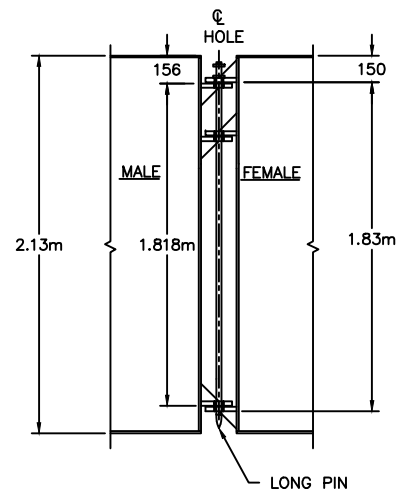
ASSEMBLY

CONNECTIONS

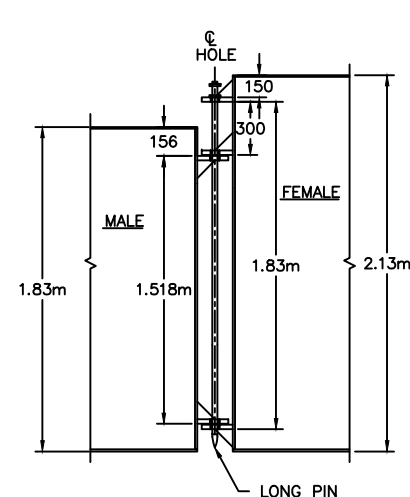
SHEET NUMBER: 61/45/01/DY4

REVISION

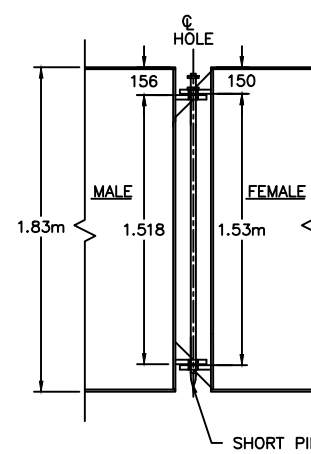
Δ



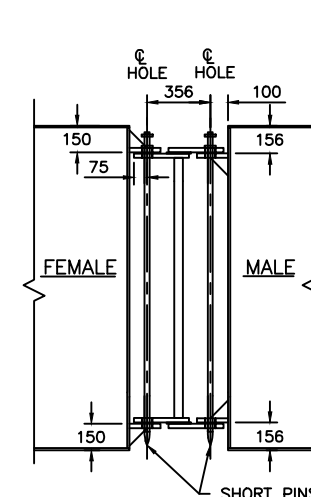
**A**  
HIGH BARGE CONNECTION  
DY4 SCALE: 1 : 20



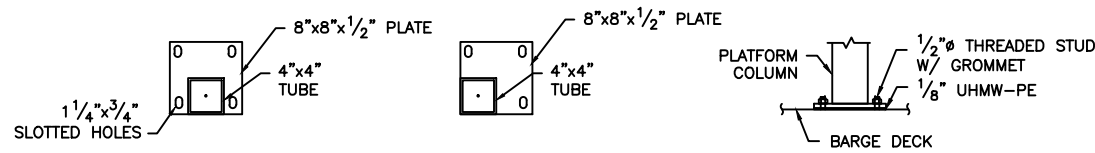
**B**  
HIGH/LOW BARGE CONNECTION  
DY4 SCALE: 1 : 20



**C**  
LOW BARGE CONNECTION  
PILE GUIDE CONN. SIMILAR  
DY4 SCALE: 1 : 20

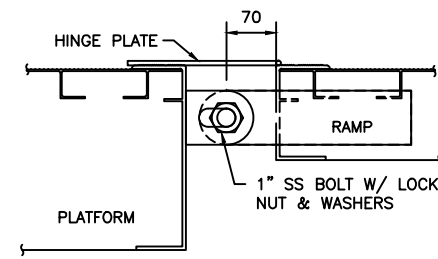


**D**  
BARGE CONNECTION - DETAIL  
DY4 SCALE: 1 : 20

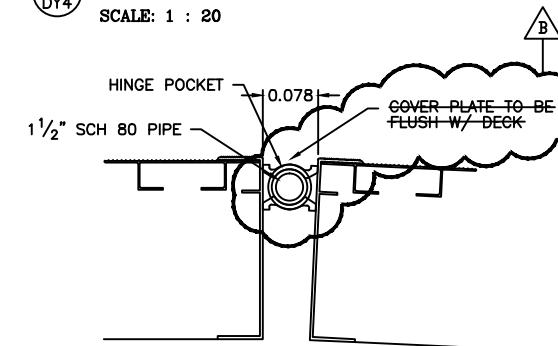


NOTE:  
CONNECTION SHALL BE 4-1/2" SS THD' STUDS W/GROMMET,  
NUT & WASHER WITH 1/8"x9"x9" UHMW-PE BELOW BASE PLATE

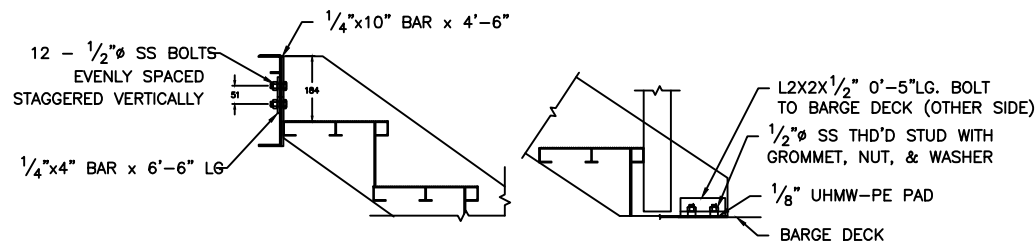
**E**  
PLATFORM BASE CONNECTION  
DY4 SCALE: 1 : 10



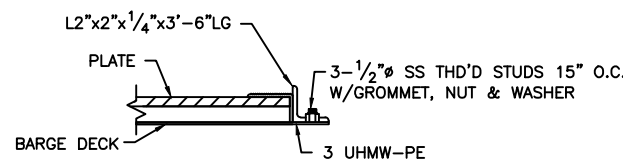
**F**  
RAMP TO PLATFORM CONNECTION  
DY4 SCALE: 1 : 5



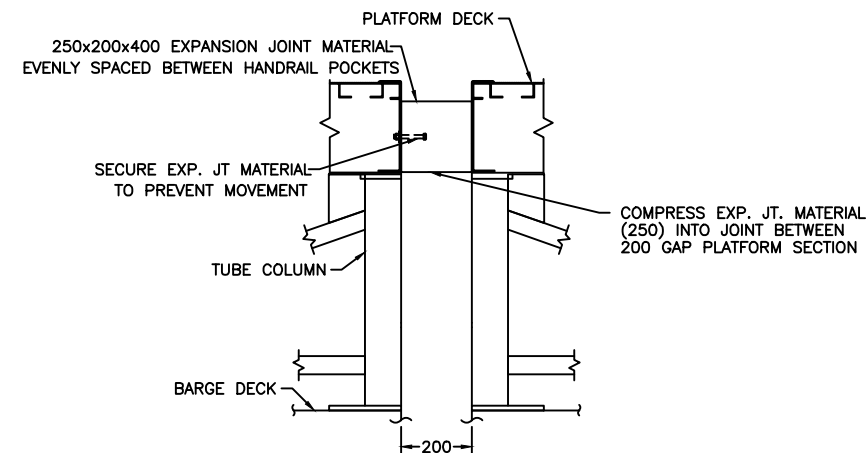
**G**  
STANDARD HINGE POCKET CONNECTION  
DY4 SCALE: 1 : 5



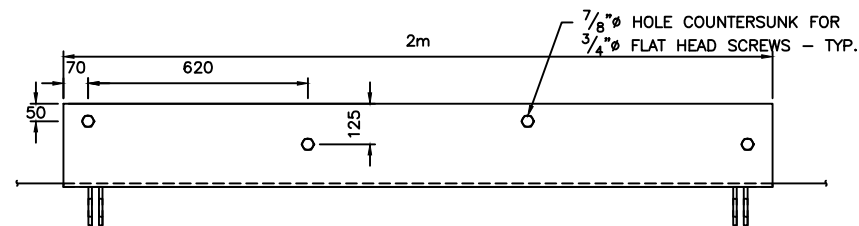
**H**  
STAIR CONNECTIONS  
DY4 SCALE: 1 : 10



**I**  
TRANSITION CONNECTION  
DY4 SCALE: 1 : 5

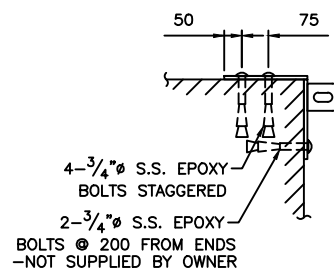


**J**  
PLATFORM TO PLATFORM CONNECTION  
DY4 SCALE: 1 : 10



PLAN

**K**  
GANGWAY LANDSIDE CONNECTION - STANDARD DETAIL  
DY4 SCALE: 1 : 10

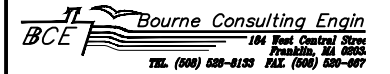


SECTION

CONSTRUCTION

Reference Drawings

Structures Section



GENERAL NOTES:

NOTES:

1. BALLAST LOADS ARE SHOWN AT CENTER OF BAY UNLESS NOTED OTHERWISE.
2. BALLAST TO BE REMOVABLE CONCRETE BLOCK OR LEAD.
3. BALLAST SHALL BE INSTALLED ON TIMBER PALLETS AT LOCATIONS SHOWN. PALLET SUPPLIED W/ BARGES

ISSUED FOR: CONSTRUCTION 14/08/01

AMENDMENTS:

NO:	REVISION	APP	DATE:
1	HOOP ORIENTATION	RRB	04/01/02
2	BALLAST LAYOUT	RRB	11/02/02

SCALE: AS NOTED

SURVEY

PREPARED BY: DATE:

DESIGN

PREPARED BY: BAP DATE: 23/05/01  
CHECKED BY: RRB DATE: 23/05/01

DRAWING

PREPARED BY: JSK DATE: 23/05/01  
CHECKED BY: BAP DATE: 23/05/01

APPROVED BY: RRB

PROJECT NUMBER: 61/01/01

PROJECT NAME:  
**DOCKYARD  
REPLACEMENT FERRY PROJE  
PHASE 1  
DOCK CONSTRUCTION**

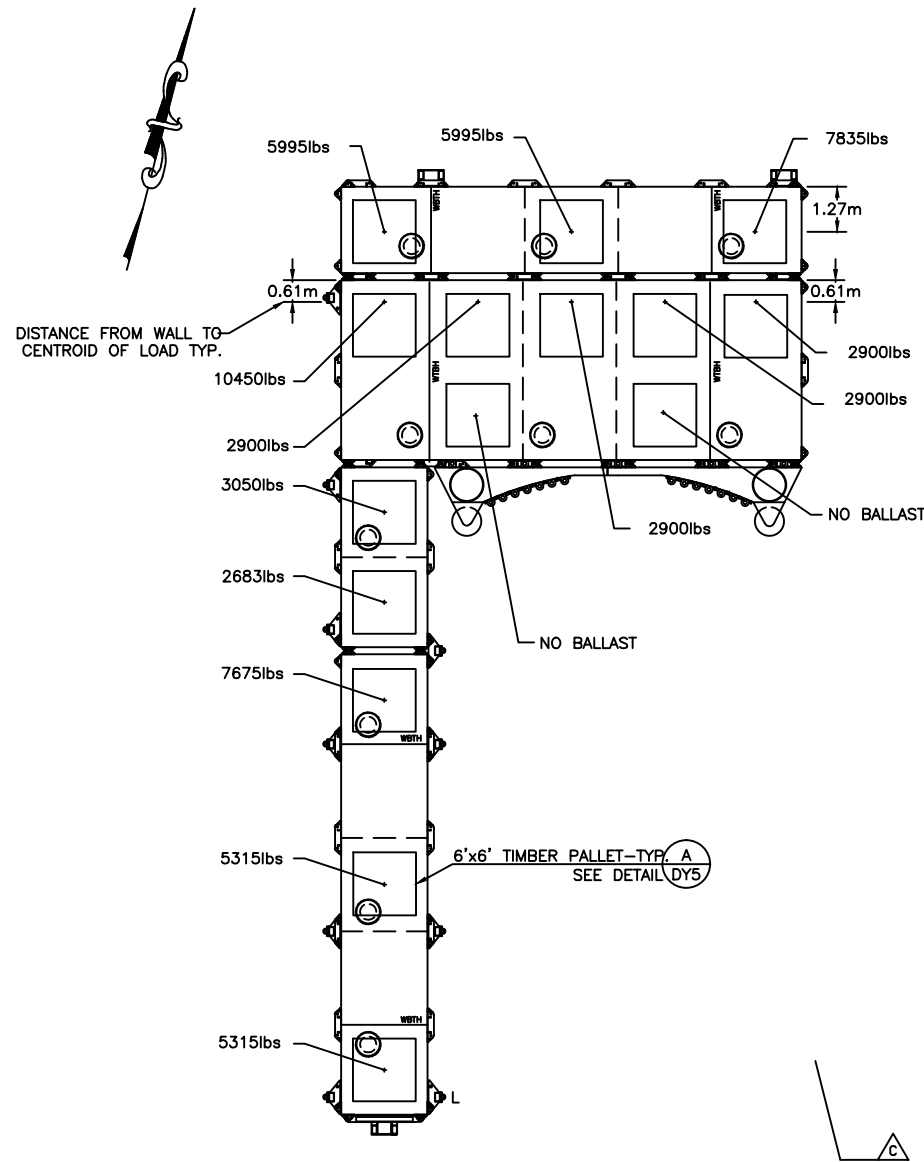
**DOCKYARD TERRACE  
SANDYS PARISH**

DRAWING FILE NO: ACAD R-14  
DY-05\_Ballasting Plan.dwg

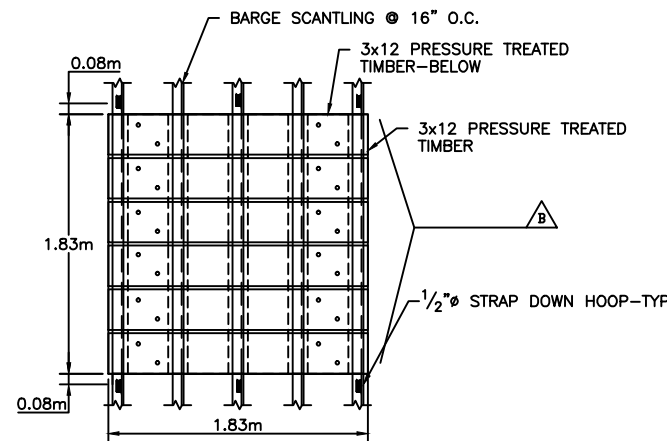
SHEET TITLE:

**BALLASTING  
PLAN**

SHEET NUMBER: 61/45/01/DY5 REVISION:



**DOCKYARD**



**BALLAST PALLET-PLAN**  
SCALE: 1 : 25

Structures Section

GENERAL NOTES:

ISSUED FOR: CONSTRUCTION 14/08/01

AMENDMENTS:

NO:	REVISION	APP	DATE:

SCALE: AS NOTED

SURVEY

PREPARED BY: DATE:

DESIGN

PREPARED BY: BAP DATE: 23/05/01

CHECKED BY: RRB

DATE: 23/05/01

DRAWING

PREPARED BY: BAP DATE: 23/05/01

CHECKED BY: RRB

DATE: 23/05/01

APPROVED BY: RRB

PROJECT NUMBER: 61/01/01

PROJECT NAME:  
**DOCKYARD  
REPLACEMENT FERRY PROJEC  
PHASE 1  
DOCK CONSTRUCTION**

**DOCKYARD TERRACE  
SANDYS**

DRAWING FILE NO: ACAD R-14  
DY-6 Gangway Notch.dwg

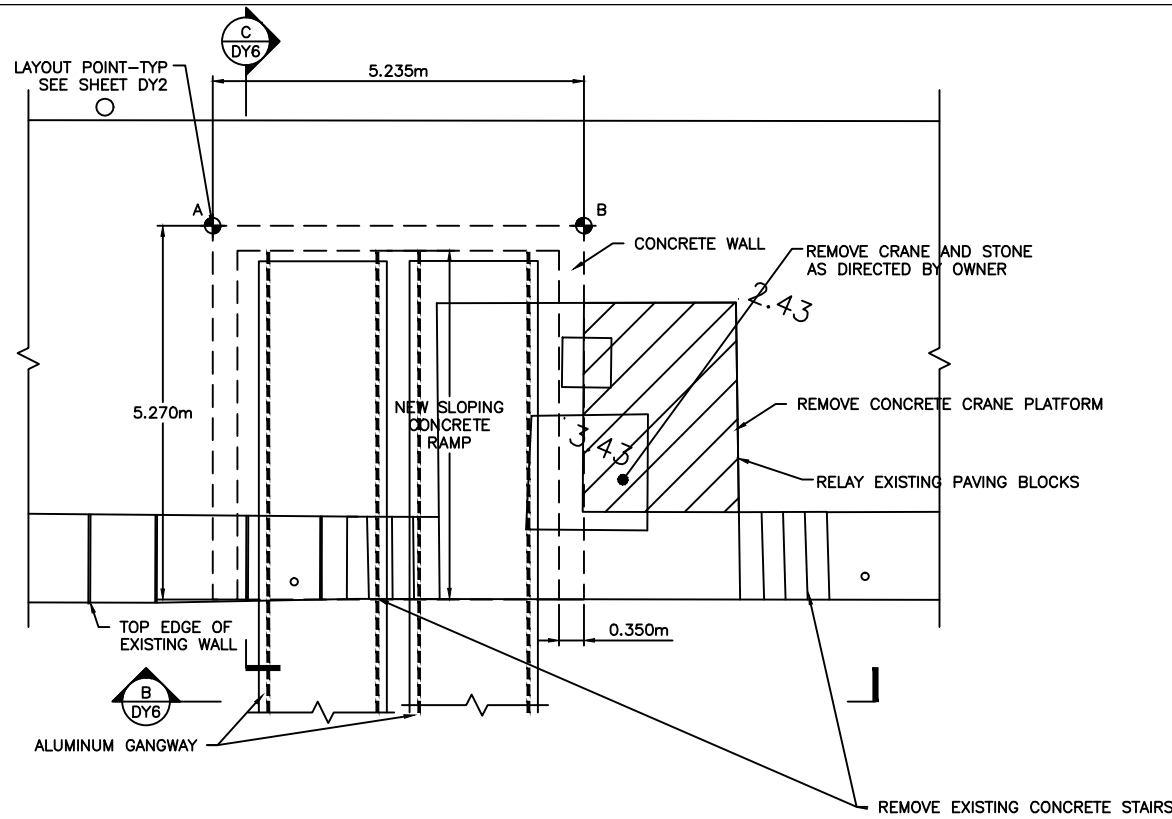
SHEET TITLE:

**GANGWAY NOTCH  
PLAN & DETAILS**

SHEET NUMBER:  
**61/45/01/DY6**

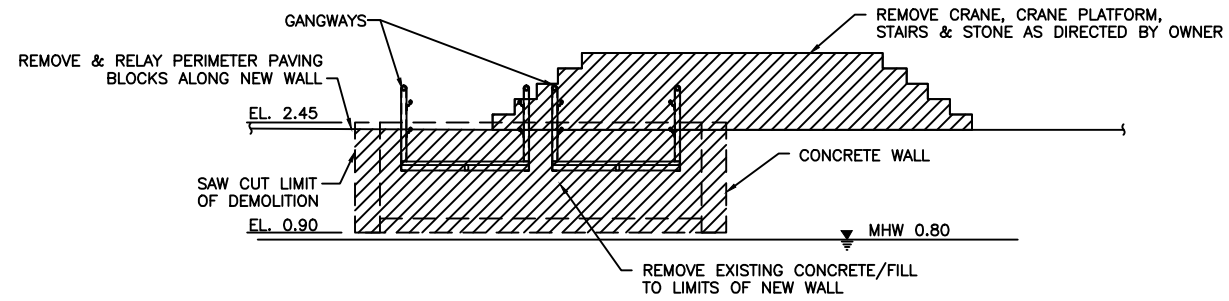
REVISION

△



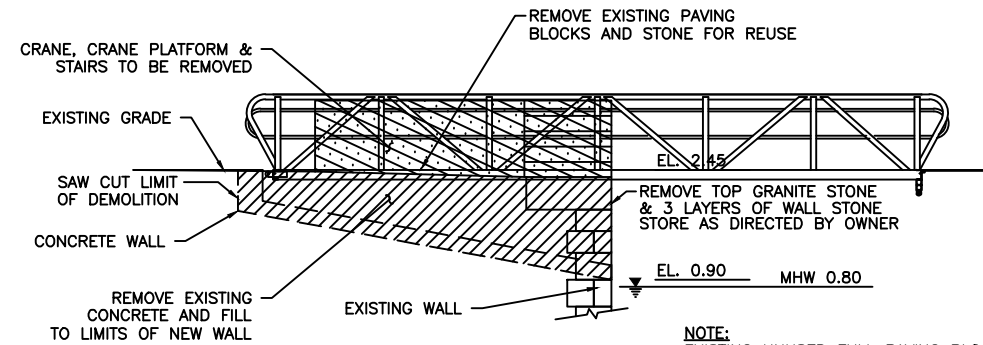
**CONCRETE NOTCH-PLAN**

SCALE: 1 : 50



**CONCRETE NOTCH-ELEVATION**

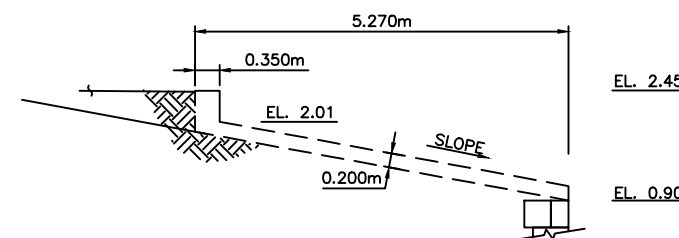
SCALE: 1 : 50



**CONCRETE NOTCH-SECTION**

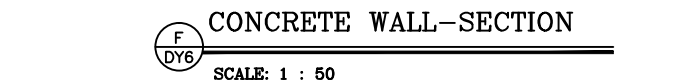
SCALE: 1 : 50

NOTE:  
NO CHAMFER @ GANGWAY LOCATIONS



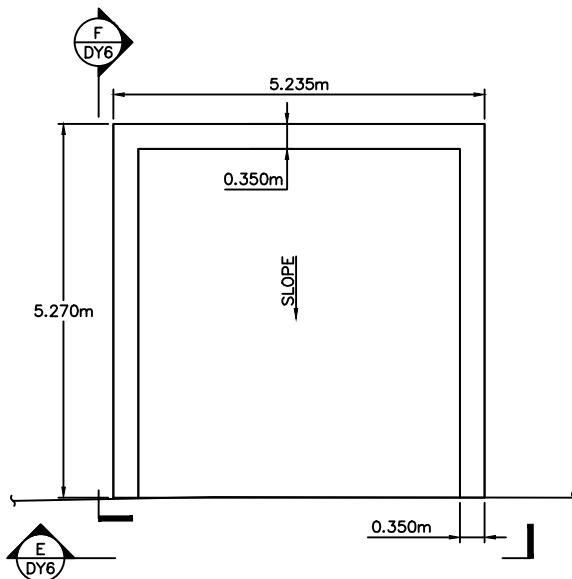
**CONCRETE WALL-ELEVATION**

SCALE: 1 : 50



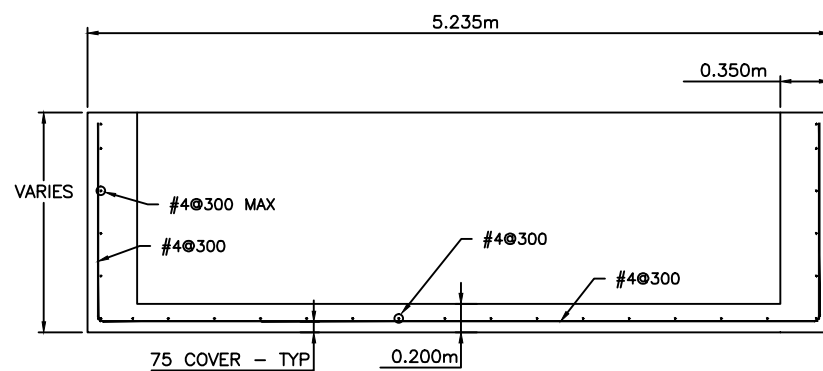
**CONCRETE WALL-SECTION**

SCALE: 1 : 50



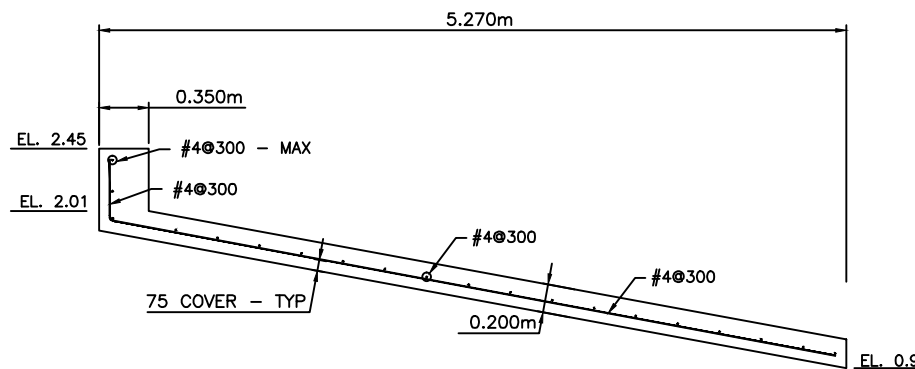
**CONCRETE WALL-PLAN**

SCALE: 1 : 50



**CONCRETE WALL-REINFORCING**

SCALE: 1 : 25



**TYPICAL SECTION - REINFORCING**

SCALE: 1 : 25

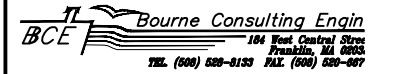
NOTE:

- \* TOP OF WALL ELEVATION +2.45
- \* ALL REINFORCING MUST BE HOT DIPPED GALVANIZED.
- \* MINIMUM COVER FOR REINFORCEMENT SHALL BE 75mm.
- \* 25 CHAMFER ON ALL EXPOSED EDGES UNO

CONSTRUCTION

Reference Drawings

Structures Section



GENERAL NOTES:

ISSUED FOR: CONSTRUCTION 14/08/01

AMENDMENTS:

NO:	REVISION	APP	DATE:

SCALE: AS NOTED

SURVEY

PREPARED BY: DATE:

DESIGN

PREPARED BY: BAP DATE: 23/05/01

CHECKED BY: RRB DATE: 23/05/01

DRAWING

PREPARED BY: JSK DATE: 23/05/01

CHECKED BY: BAP DATE: 23/05/01

APPROVED BY:

RRB

PROJECT NUMBER:

61/01/01

PROJECT NAME:

**DOCKYARD  
REPLACEMENT FERRY PROJEC  
PHASE 1  
DOCK CONSTRUCTION**

**DOCKYARD TERRACE  
SANDYS PARISH**

DRAWING FILE NO: ACAD R-14  
DY-07\_Wall-Fender.dwg

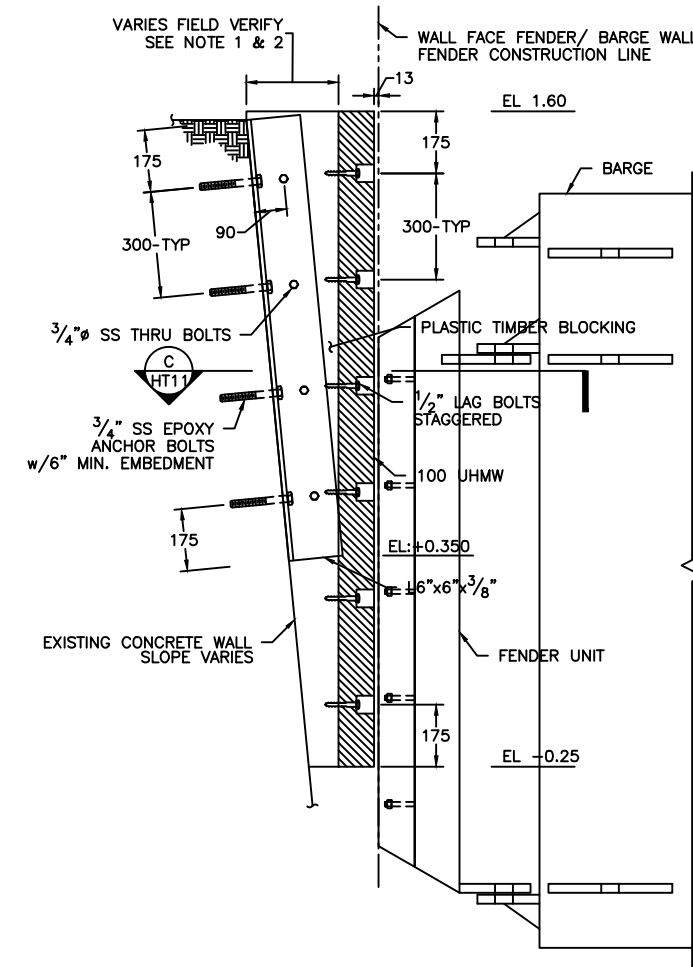
SHEET TITLE:

**WALL  
FENDER**

SHEET NUMBER: 61/45/01/DY7

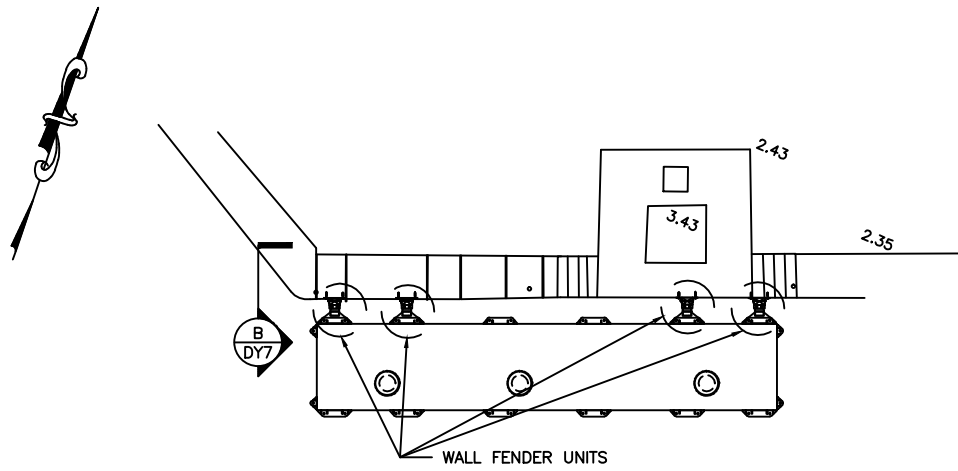
REVISION

△



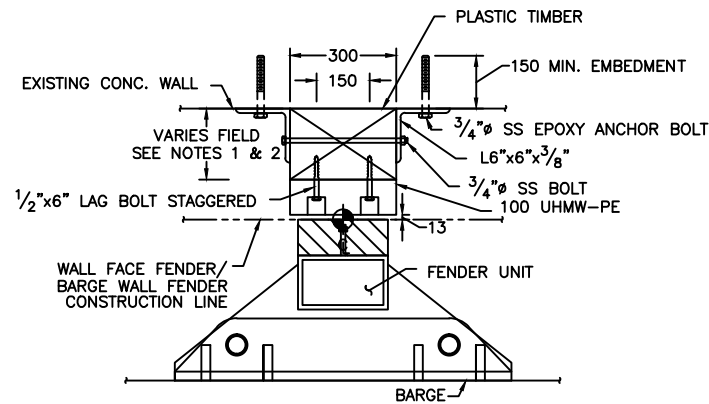
**WALL FENDER DETAIL**

SCALE: 1 : 10



**PARTIAL PLAN**

SCALE: 1 : 50



**WALL FENDER PLAN**

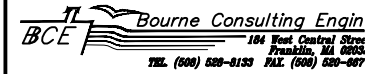
SCALE: 1 : 10

- NOTES
1. PLASTIC TIMBER SHALL HAVE MINIMUM THICKNESS OF 100mm @ EL:+0.35.
  2. CONTRACTOR TO FIELD VERIFY SEA WALL SLOPE AND FINAL WALL FACE FENDER/BARGE WALL FENDER CONSTRUCTION LINE.

CONSTRUCTION

Reference Drawings

Structures Section



GENERAL NOTES:

ISSUED FOR: CONSTRUCTION 14/08/01

AMENDMENTS:

NO:	REVISION	APP	DATE:
Δ	DELETE MRG. DETAILS	RRB	04/01/02

SCALE: AS NOTED

SURVEY

PREPARED BY: DATE:

DESIGN

PREPARED BY: BAP DATE: 23/05/01

CHECKED BY: RRB DATE: 23/05/01

DRAWING

PREPARED BY: JSK DATE: 23/05/01

CHECKED BY: BAP DATE: 23/05/01

APPROVED BY: RRB

PROJECT NUMBER: 61/01/01

PROJECT NAME:

DOCKYARD REPLACEMENT FERRY PROJEC

PHASE 1 DOCK CONSTRUCTION

DOCKYARD TERRACE SANDYS PARISH

DRAWING FILE NO: ACAD R-14

DY-09Mooring Details

SHEET TITLE:

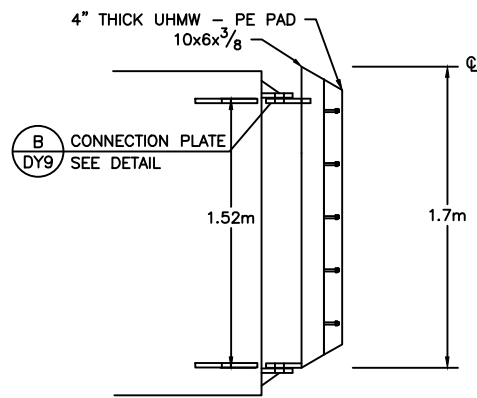
FENDER

DETAILS

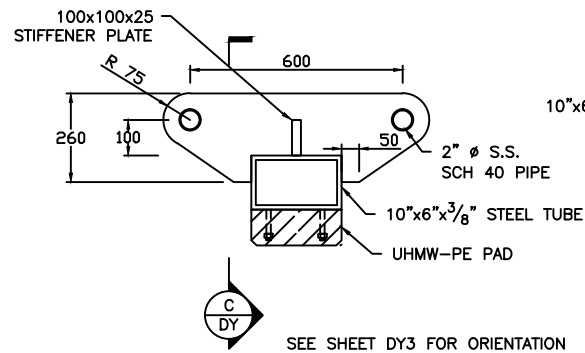
SHEET NUMBER: 61/45/01/DY9

REVISION

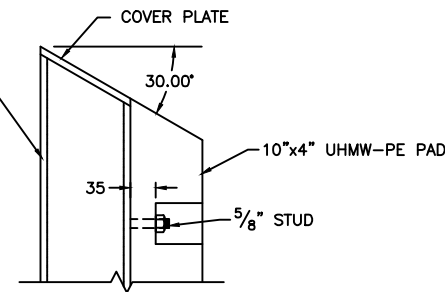
Δ



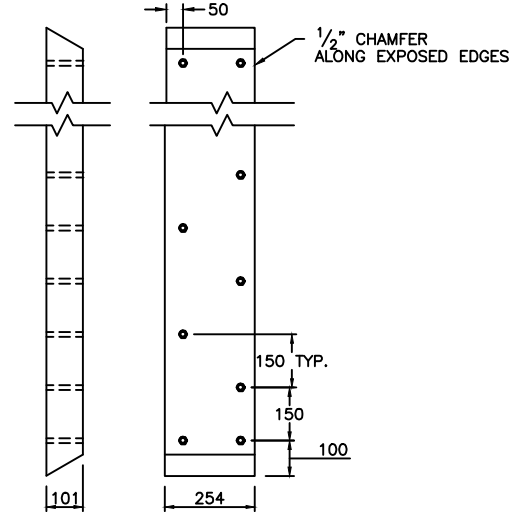
**WALL FENDER**  
SCALE: 1 : 20



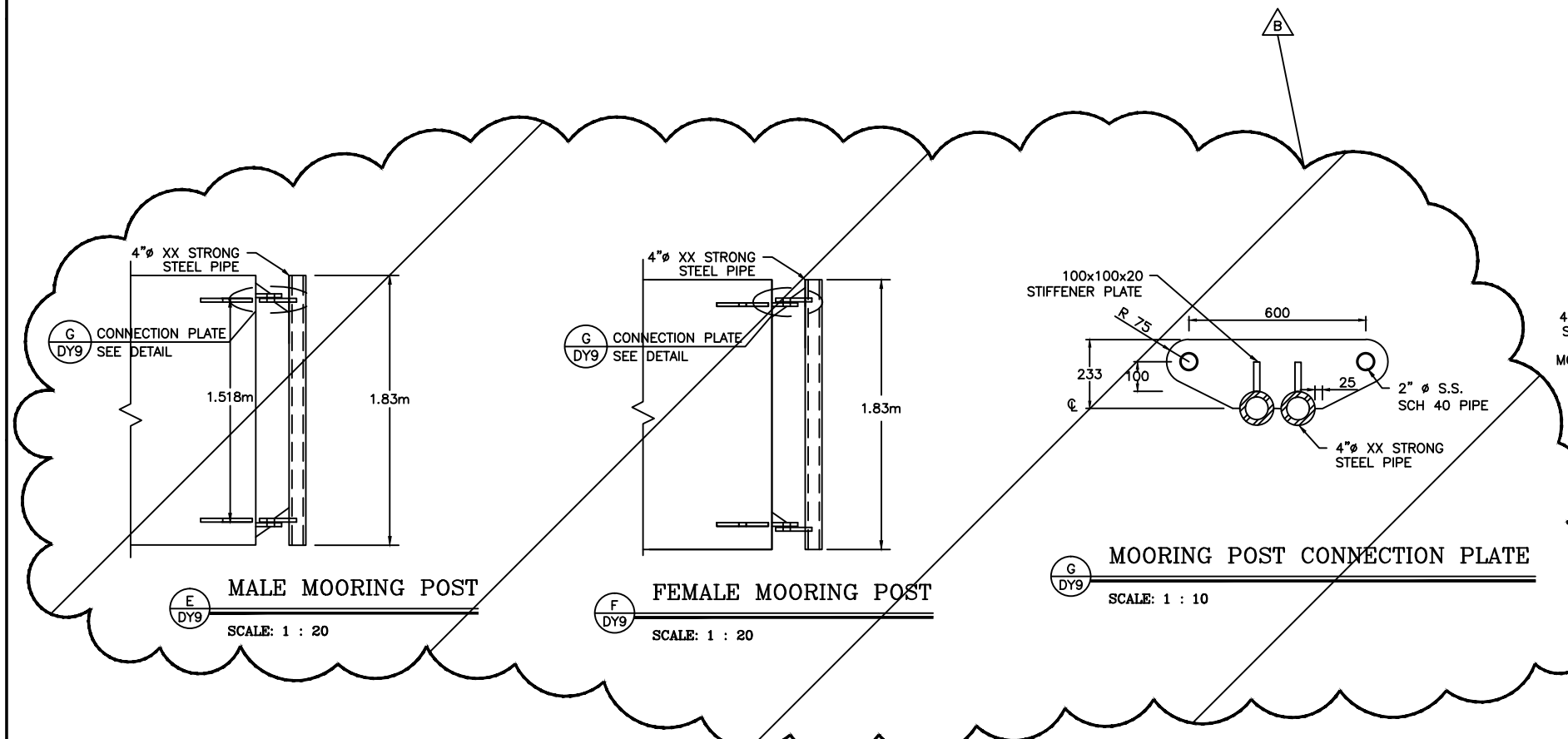
**WALL FENDER CONNECTION PLATE**  
SCALE: 1 : 10



**SECTION**  
SCALE: 1 : 5



**UHMW-PE ELEVATIONS**  
SCALE: 1 : 10

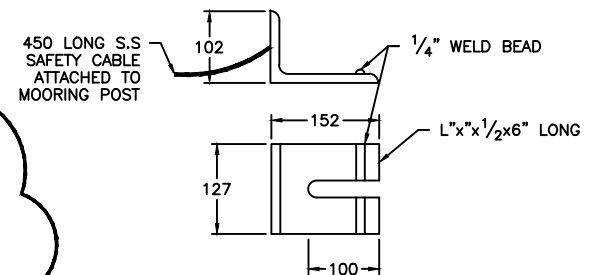


**MALE MOORING POST**  
SCALE: 1 : 20

**FEMALE MOORING POST**  
SCALE: 1 : 20

**MOORING POST CONNECTION PLATE**  
SCALE: 1 : 10

**3/4" CHAIN DOG**  
SCALE: 1 : 5



**3/4" CHAIN DOG**  
SCALE: 1 : 5

Reference Drawings

CONSTRUCTION

Structures Section

GENERAL NOTES:

ISSUED FOR: CONSTRUCTION 14/08/01

AMENDMENTS:

NO.	REVISION	APP	DATE
1	TYPE I PLATE	RRB	04/01/02

SCALE: AS NOTED

SURVEY

PREPARED BY: DATE:

DESIGN

PREPARED BY: BAP DATE: 23/05/01

CHECKED BY: RRB

DATE: 23/05/01

DRAWING

PREPARED BY: JSK DATE: 23/05/01

CHECKED BY: BAP

DATE: 23/05/01

APPROVED BY: RRB

PROJECT NUMBER: 61/01/01

PROJECT NAME:

DOCKYARD  
REPLACEMENT FERRY PROJEC  
PHASE 1  
DOCK CONSTRUCTION

DOCKYARD TERRACE  
SANDYS PARISH

DRAWING FILE NO: ACAD R-14  
DY-10 Misc. Details.dwg

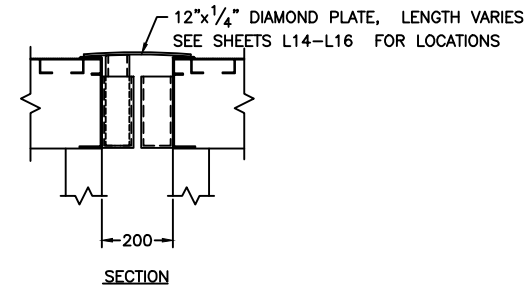
SHEET TITLE:

MISC.  
DETAILS

SHEET NUMBER: 61/45/01/DY10

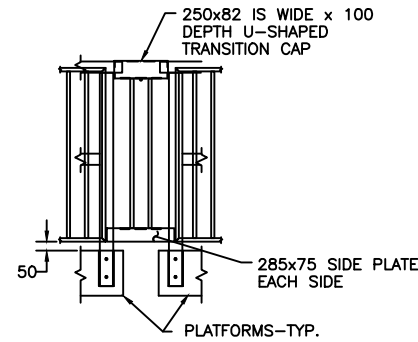
REVISION

1



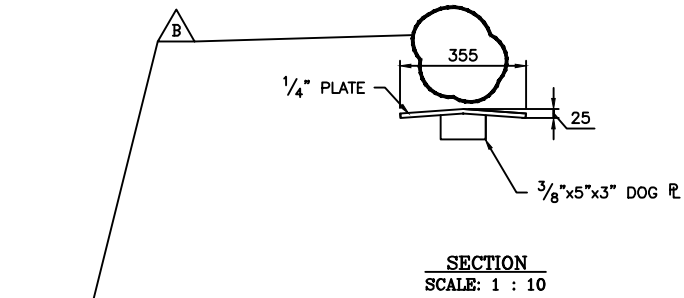
SECTION  
A  
DY10  
PLATFORM TO PLATFORM TRANSITION PLATE

SCALE: 1 : 10

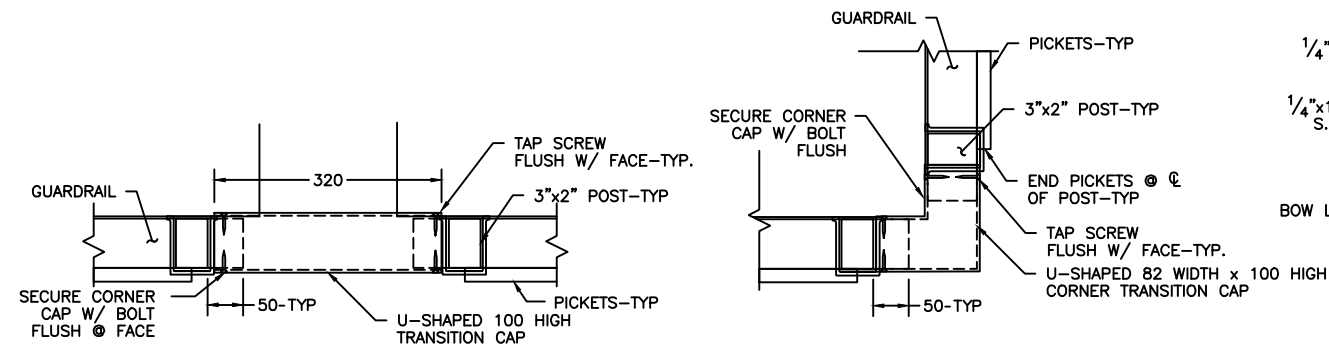


SECTION  
B  
DY10  
HANDRAIL CONNECTION

SCALE: 1 : 20

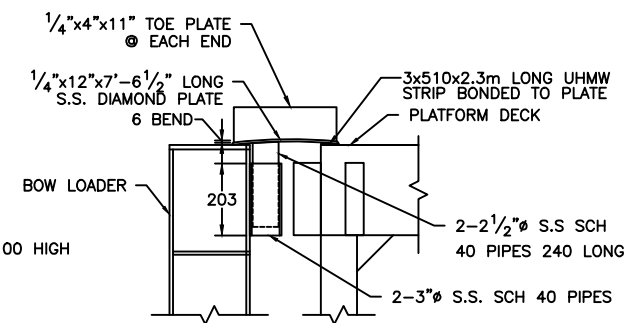


SECTION  
SCALE: 1 : 10



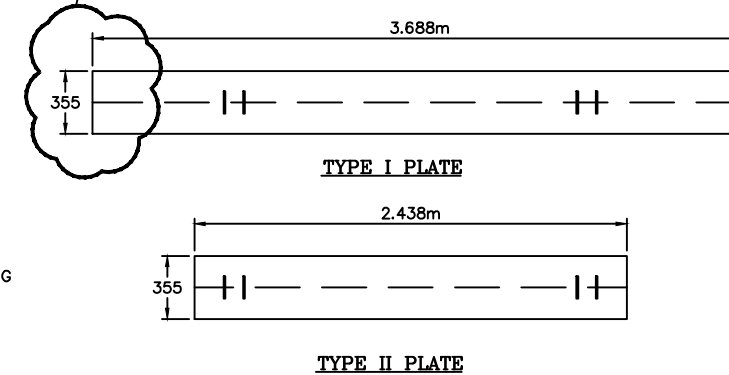
SECTION  
C  
DY10  
GUARDRAIL TRANSITION

SCALE: 1 : 5



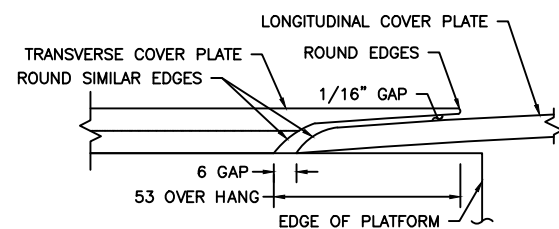
SECTION  
D  
DY10  
BOW LOADER COVER PLATE

SCALE: 1 : 10



SECTION  
E  
DY10  
STEEL BARGE COVER PLATES

SCALE: 1 : 20



SECTION  
F  
DY10  
COVER PLATE CROSSING-SECTION

SCALE: 1 : 1

Reference Drawings

CONSTRUCTION



Structures Section



GENERAL NOTES:

ISSUED FOR: CONSTRUCTION 28/11/01

AMENDMENTS:

NO:	REVISION	APP	DATE:
△	SHEET ADDED	RRB	04/01/02
△	COORDINATES REVISED	DGF	22/02/02
△			
△			

SCALE: AS NOTED

SURVEY	
PREPARED BY:	DATE:
BAP	26/11/01
RRB	28/11/01

DRAWING	
PREPARED BY:	DATE:
BAP	26/11/01
RRB	28/11/01

APPROVED BY: RRB

PROJECT NUMBER:  
61/01/01

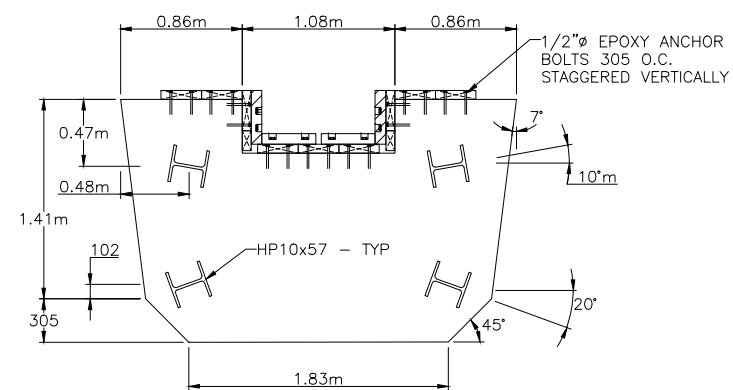
PROJECT NAME:  
**DOCKYARD  
REPLACEMENT FERRY PROJECT  
PHASE 1  
DOCK CONSTRUCTION**

**DOCKYARD TERRACE  
SANDYS PARISH**

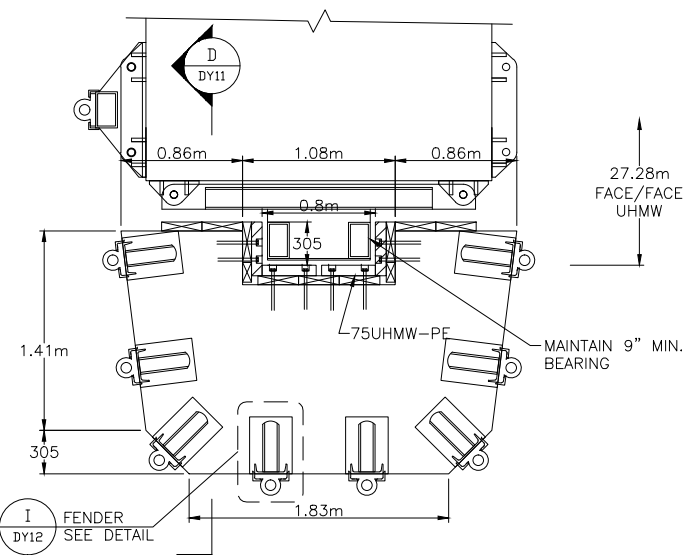
DRAWING FILE NO: 21378/DY-11.dwg ACAD R-14

SHEET TITLE:  
**MOORING LAYOUT**

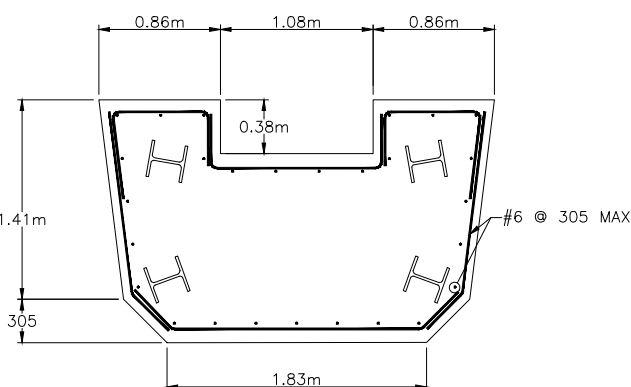
SHEET NUMBER: 61/45/01/DY11 REVISION: △



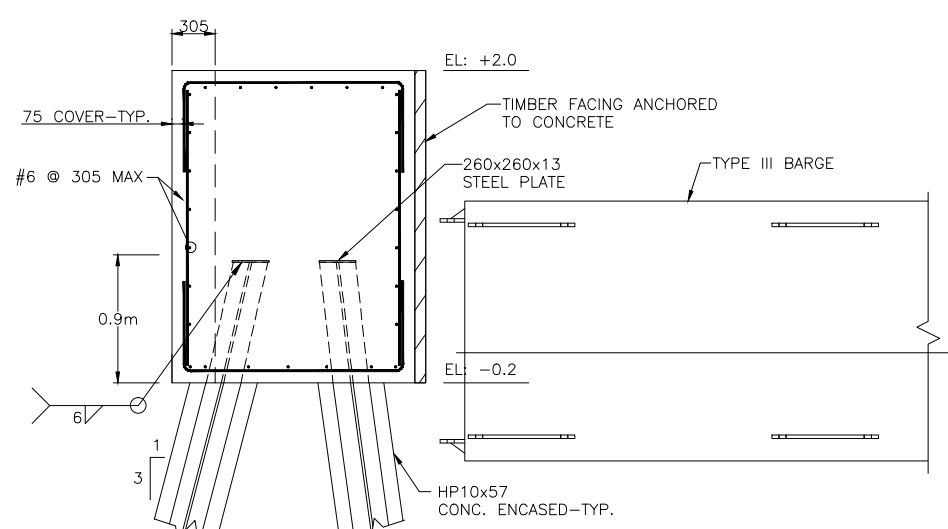
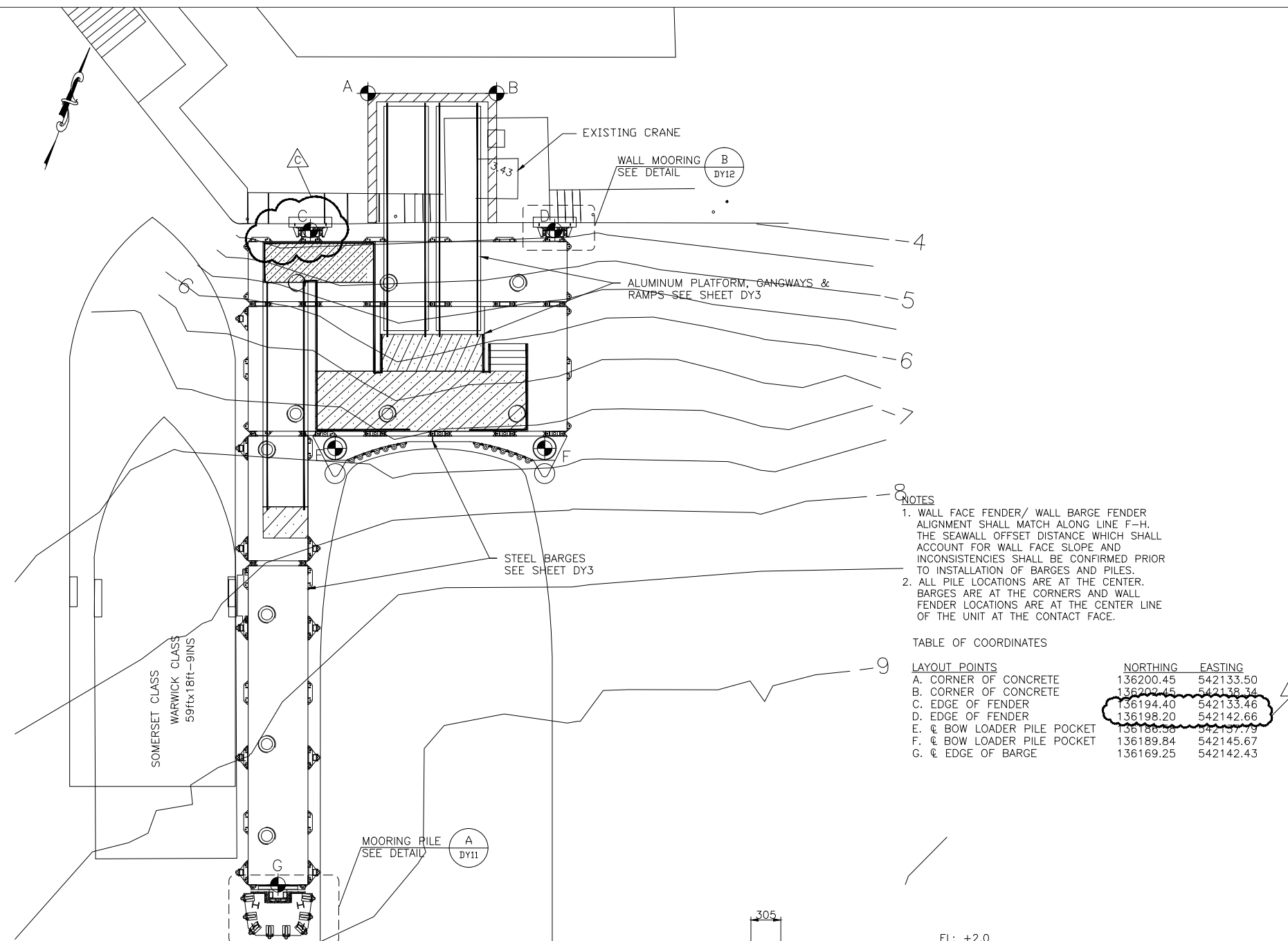
**A**  
MOORING PILE @ -0.2m - PLAN  
SCALE: 1 : 25



**B**  
MOORING PILE - PLAN  
SCALE: 1 : 25



**C**  
REINFORCING - PLAN  
SCALE: 1 : 25



**D**  
MOORING PILE - SECTION  
SCALE: 1 : 25

THIS SHEET ADDED 14/12/01

Reference Drawings

Structures Section

*Bourne Consulting Engin*  
*BCE* 184 West Central Street  
Franklin, MA 02035  
TEL (508) 688-0133 FAX (508) 688-0077

GENERAL NOTES:

ISSUED FOR: CONSTRUCTION 28/11/01

AMENDMENTS:

NO:	REVISION	APP	DATE:
Δ	SHEET ADDED	RRB	04/01/02

SCALE: AS NOTED

SURVEY  
PREPARED BY: DATE:

DESIGN  
PREPARED BY: BAP DATE: 26/11/01  
CHECKED BY: RRB DATE: 28/11/01

DRAWING  
PREPARED BY: JSK/BAP DATE: 26/11/01  
CHECKED BY: BAP DATE: 28/11/01

APPROVED BY: RRB

PROJECT NUMBER:  
61/01/01

PROJECT NAME:  
**DOCKYARD  
REPLACEMENT FERRY PROJEC**

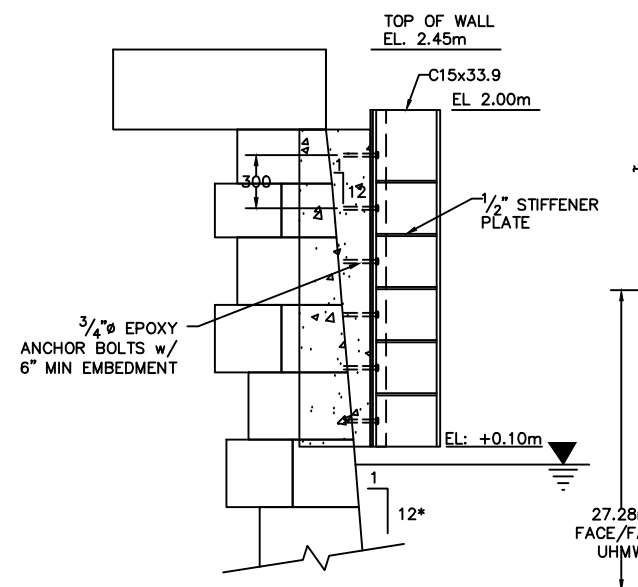
**DOCK CONSTRUCTION  
DOCKYARD TERRACE  
SANDYS PARISH**

DRAWING FILE NO: ACAD R-14  
21378/DY-12.dwg

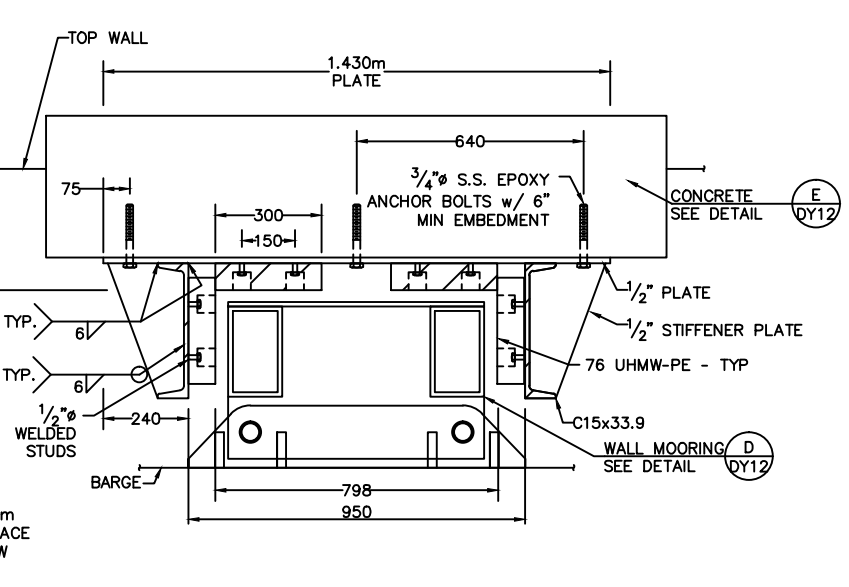
SHEET TITLE:  
**MOORING DETAILS**

SHEET NUMBER: 61/45/01 DY12

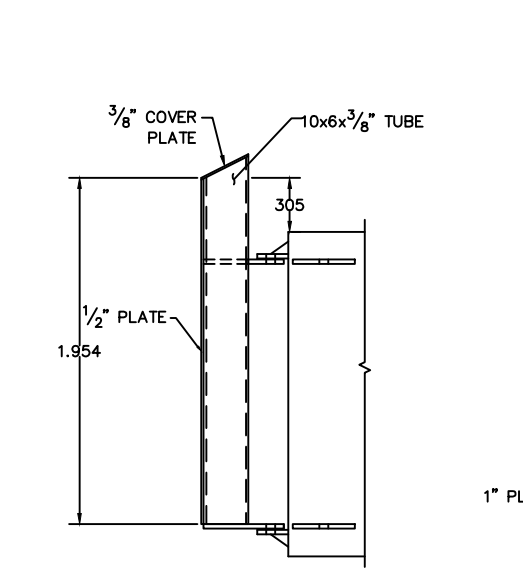
REVISION  
Δ



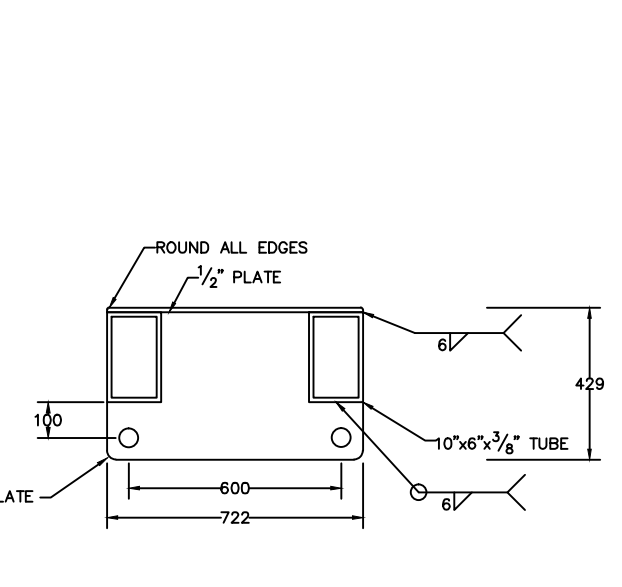
**A**  
WALL MOORING GUIDE-SECTION  
SCALE: 1 : 20



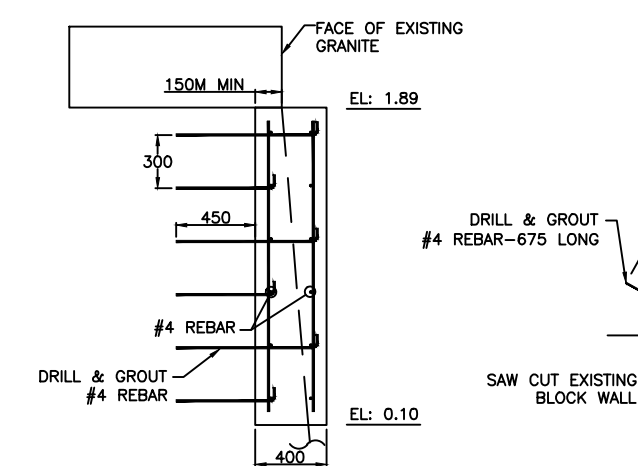
**B**  
WALL MOORING GUIDE-PLAN  
SCALE: 1 : 10



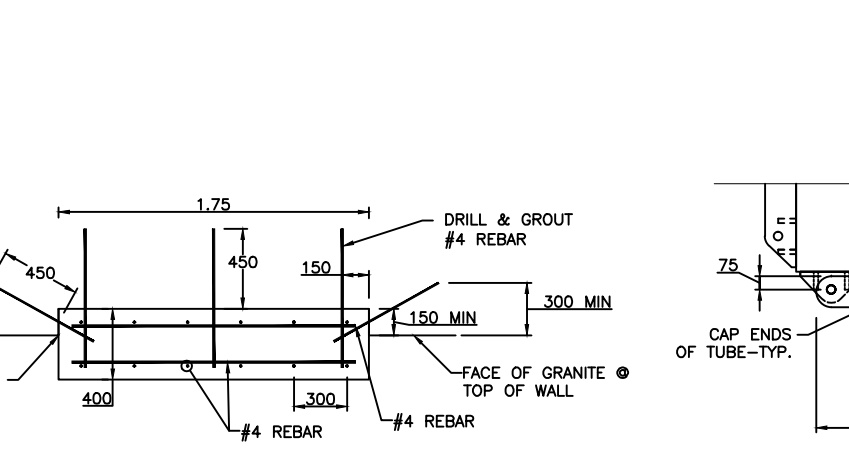
**C**  
MOORING ATTACHMENT @ WALL  
SCALE: 1 : 20



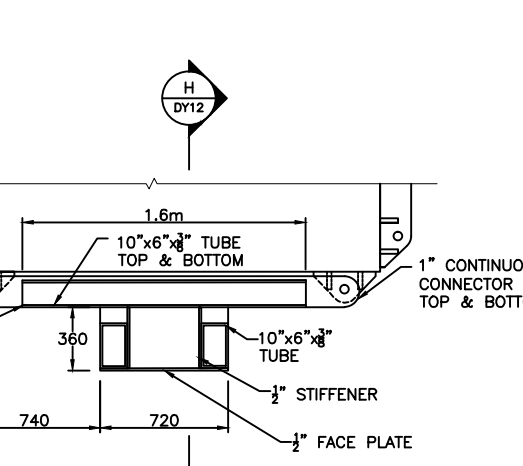
**D**  
WALL MOORING - PLAN  
SCALE: 1 : 10



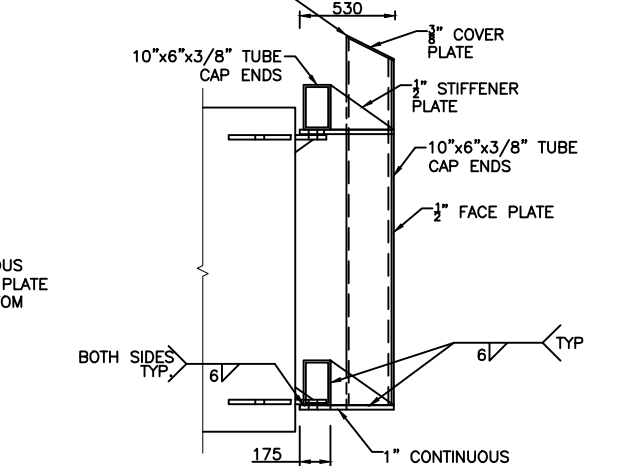
**E**  
MOORING TO WALL ATTACHMENT-SECTION  
SCALE: 1 : 20



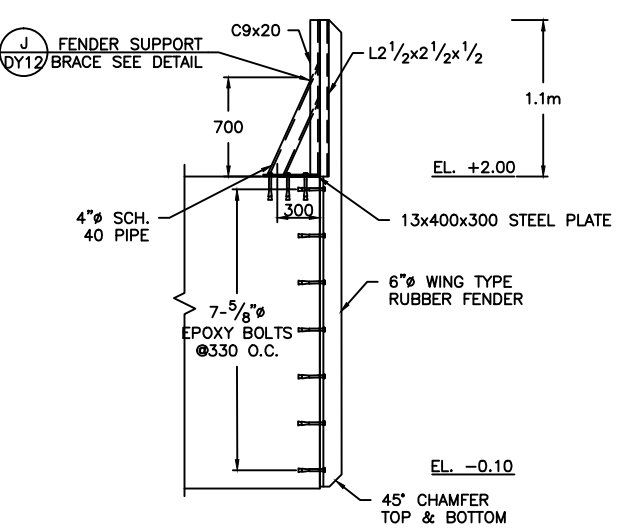
**F**  
MOORING TO WALL ATTACHMENT-PLAN  
SCALE: 1 : 20



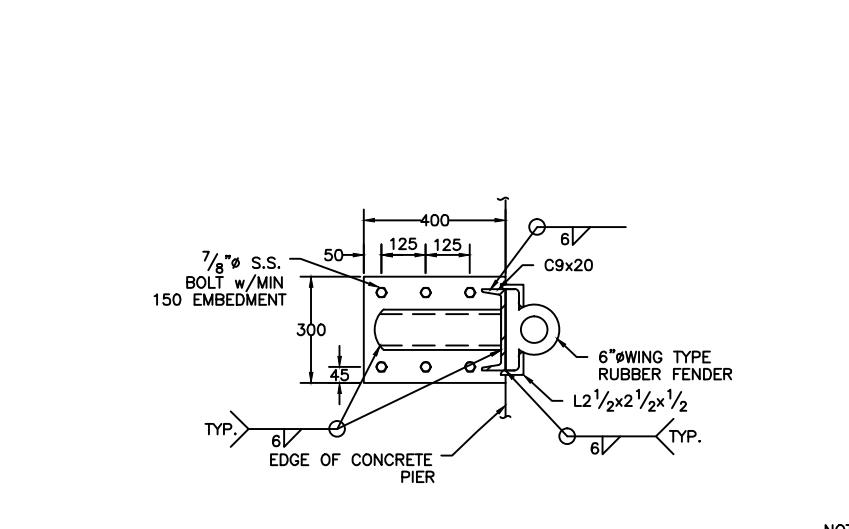
**G**  
BARGE/MOORING DOLPHIN-PLAN  
SCALE: 1 : 20



**H**  
BARGE/MOORING DOLPHIN-SECTION  
SCALE: 1 : 20



**I**  
FENDER SECTION  
SCALE: 1 : 25



**J**  
FENDER SUPPORT BRACE  
SCALE: 1 : 10

NOTES  
1. CONTRACTOR TO FIELD VERIFY SEAWALL SLOPE  
2. STEEL ASSOCIATED WITH MOORING GUIDES AND ATTACHMENTS SHALL BE EPOXY COATED AS SPECIFIED  
3. STEEL FENDER SUPPORT BRACE SHALL BE GALVANIZED

Reference Drawings

Structures Section



- GENERAL NOTES:
1. COORDINATES BASED ON BNG 2000.
  2. ALL ELEVATIONS ARE IN METERS BASED ON ORDNANCE DATUM.
  3. ALL DISTANCES ARE IN METERS.
  4. SURVEY CONTROL SHALL BE PROVIDED TO THE CONTRACTOR BY THE OWNER.

ISSUED FOR: CONSTRUCTION 14/08/01

AMENDMENTS:

NO.	REVISION	APP	DATE:

SCALE: 1 : 200

SURVEY

PREPARED BY: DATE:

DESIGN

PREPARED BY: DATE:  
BAP 23/05/01  
CHECKED BY: DATE:  
RRB 23/05/01

DRAWING

PREPARED BY: DATE:  
JSK 23/05/01  
CHECKED BY: DATE:  
BAP 23/05/01

APPROVED BY:  
RRB

PROJECT NUMBER:  
61/01/01

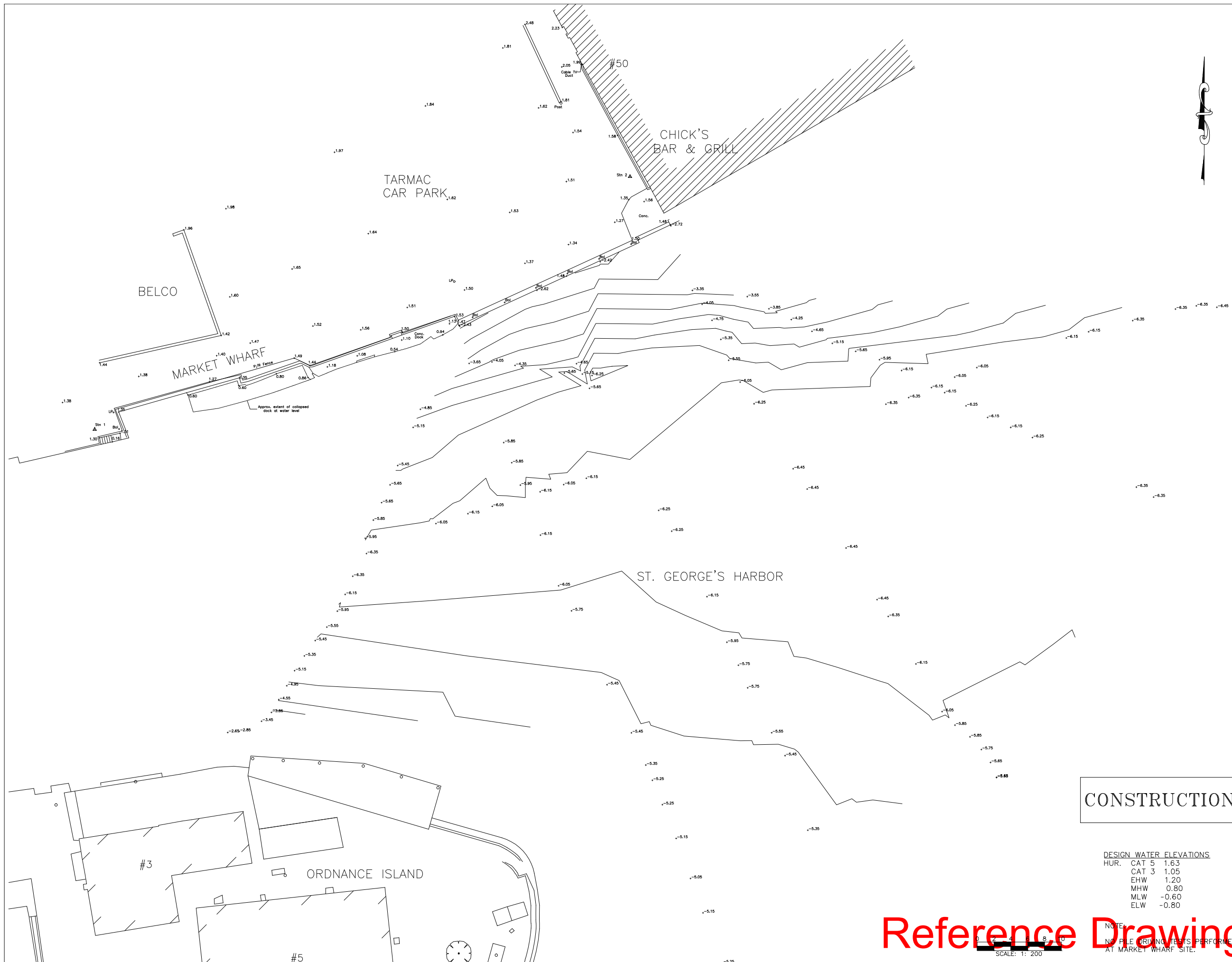
PROJECT NAME:  
**ST. GEORGE'S  
REPLACEMENT FERRY PROJECT  
PHASE 1  
DOCK CONSTRUCTION**

**MARKET WHARF  
ST. GEORGE'S PARISH**

DRAWING FILE NO: ACAD R-14  
SG-1 Existing Cond.dwg

SHEET TITLE:  
**EXISTING  
CONDITIONS**

SHEET NUMBER: REVISION  
61/46/01/SG1



**CONSTRUCTION**

DESIGN WATER ELEVATIONS

HUR. CAT 5	1.63
CAT 3	1.05
EHW	1.20
MHW	0.80
MLW	-0.60
ELW	-0.80

**Reference Drawings**

NOTE:  
NO PILE DRIVING TESTS PERFORMED  
AT MARKET WHARF SITE.

SCALE: 1: 200

Structures Section



- GENERAL NOTES:
1. COORDINATES BASED ON BNG 2000.
  2. ALL ELEVATIONS ARE IN METERS BASED ON ORDNANCE DATUM.
  3. ALL DISTANCES ARE IN METERS.
  4. SURVEY CONTROL SHALL BE PROVIDED TO THE CONTRACTOR BY THE OWNER.

ISSUED FOR: CONSTRUCTION 14/08/01

AMENDMENTS:

NO:	REVISION	APP	DATE:
△	BARGE II	RRB	04/01/02
△	LAYOUT CHANGED	RJT	23/05/02

SCALE: 1 : 100

SURVEY

PREPARED BY: DATE:

DESIGN

PREPARED BY: DATE:  
BAP 23/05/01  
CHECKED BY: DATE:  
RRB 23/05/01

DRAWING

PREPARED BY: DATE:  
JSK 23/05/01  
CHECKED BY: DATE:  
BAP 23/05/01

APPROVED BY:  
RRB

PROJECT NUMBER:  
61/01/01

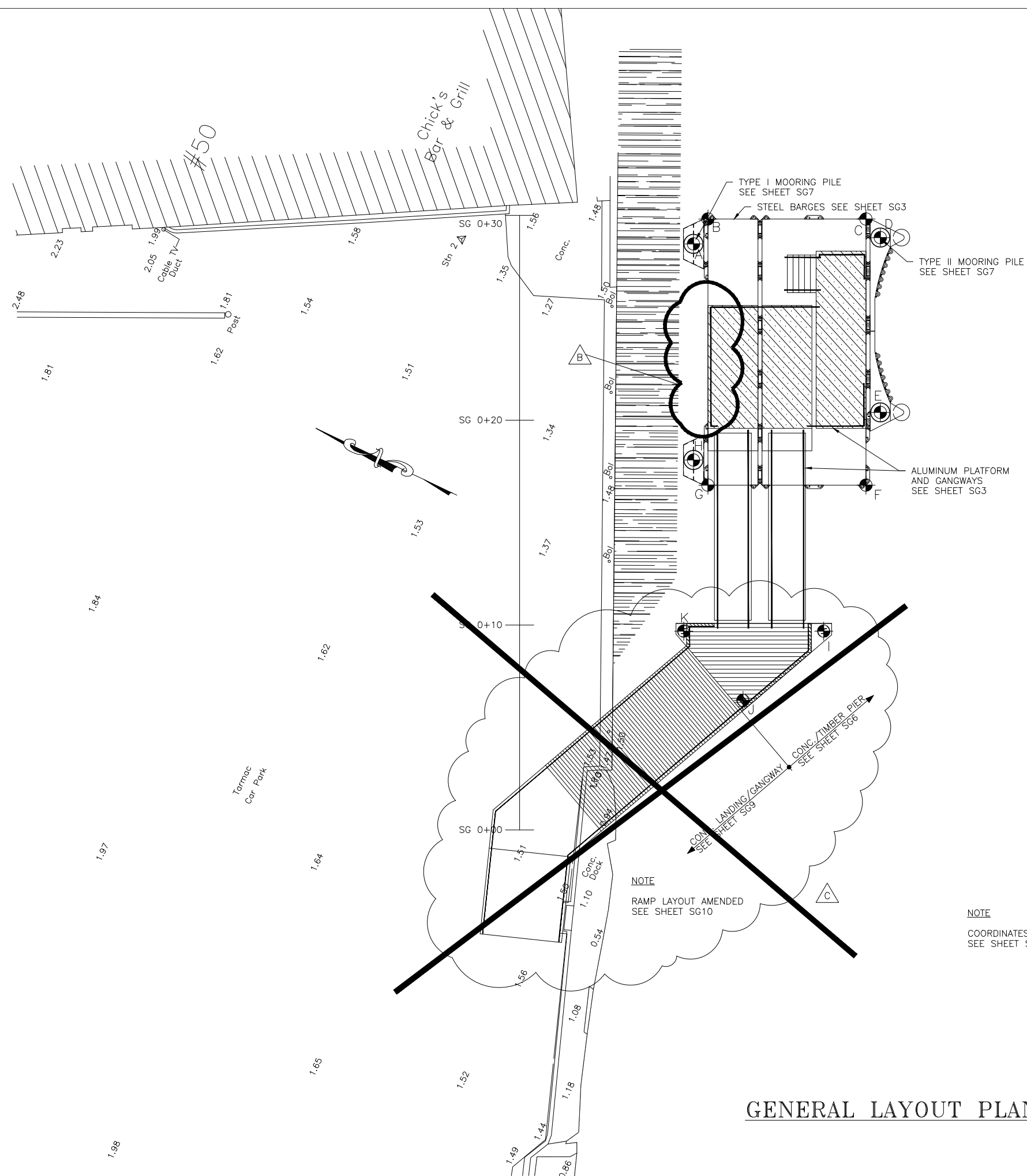
PROJECT NAME:  
**ST. GEORGE'S  
REPLACEMENT FERRY PROJECT  
PHASE 1  
DOCK CONSTRUCTION**

**MARKET WHARF  
ST. GEORGE'S PARISH**

DRAWING FILE NO: ACAD R-14  
SG-2 SITE LAYOUT.dwg

SHEET TITLE:  
**SITE  
LAYOUT**

SHEET NUMBER: REVISION  
61/46/01/SG2



NOTE

1. ALL PILE LOCATIONS ARE AT THE CENTER.  
BARGE LOCATIONS ARE AT THE CORNERS.

△ — LAYOUT POINT

TABLE OF COORDINATES

LAYOUT POINTS	NORTHING	EASTING
SG 0+00	142258.262	557003.180
SG 0+30	142271.064	557030.312
A. C. OF PILE	142262.788	557032.672
B. N.E. BARGE CORNER	142267.880	557034.074
C. S.E. BARGE CORNER	142285.704	557037.365
D. C. OF PILE	142254.682	557036.840
E. C. OF PILE	142251.042	557029.124
F. S.W. BARGE CORNER	142250.161	557025.617
G. N.W. BARGE CORNER	142257.137	557022.326
H. C. OF PILE	142257.291	557023.130
I. C. OF PILE	142248.581	557018.287
J. C. OF PILE	142251.108	557013.552
K. C. OF PILE	142255.159	557015.373

NOTE

COORDINATES AMENDED  
SEE SHEET SG11

GENERAL LAYOUT PLAN

Reference Drawings

CONSTRUCTION



Structures Section

**BCE** Bourne Consulting Engin  
184 West Central Street  
Franklin, MA 02038  
TEL: (508) 528-8133 FAX: (508) 520-687

GENERAL NOTES:

ISSUED FOR: CONSTRUCTION 14/08/01

AMENDMENTS:

NO:	REVISION	APP	DATE:
△	BARGE II	RRB	04/01/02
△	PLATFORM AMENDED	RJT	23/05/02

SCALE: 1 : 100

SURVEY

PREPARED BY: DATE:

DESIGN

PREPARED BY: DATE: 23/05/01

BAP

CHECKED BY: DATE: 23/05/01

RRB

DRAWING

PREPARED BY: DATE: 23/05/01

JSK

CHECKED BY: DATE: 23/05/01

BAP

APPROVED BY:

RRB

PROJECT NUMBER:

61/01/01

PROJECT NAME:

St. GEORGE'S  
REPLACEMENT FERRY PROJECT  
PHASE 1  
DOCK CONSTRUCTION

MARKET WHARF  
St. GEORGE'S PARISH

DRAWING FILE NO: ACAD R-14  
SG-3 Barge & Assembly Plan.dwg

SHEET TITLE:

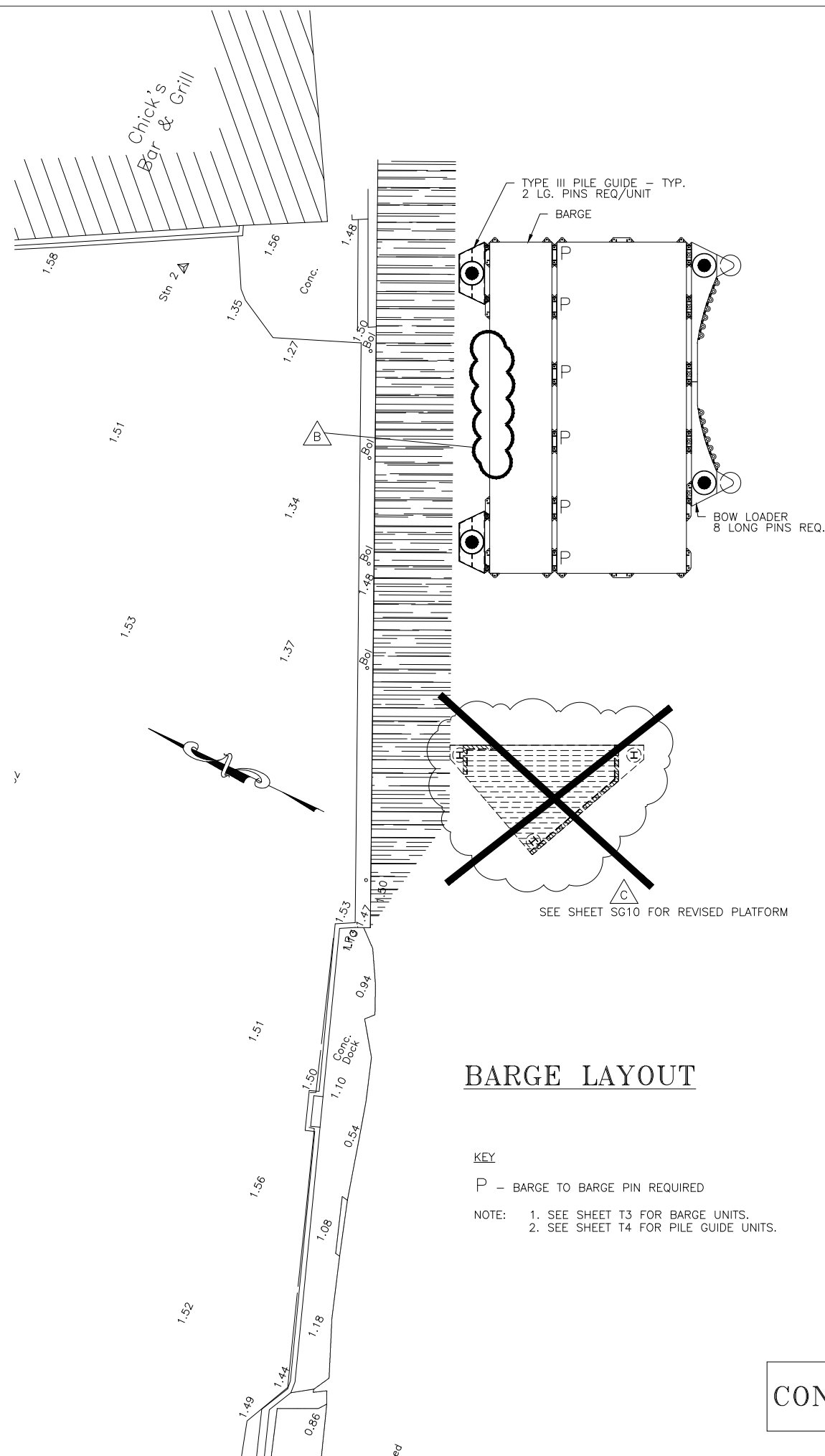
BARGE & ALUMINUM  
ASSEMBLY PLAN

SHEET NUMBER:

61/46/01/SG3

REVISION

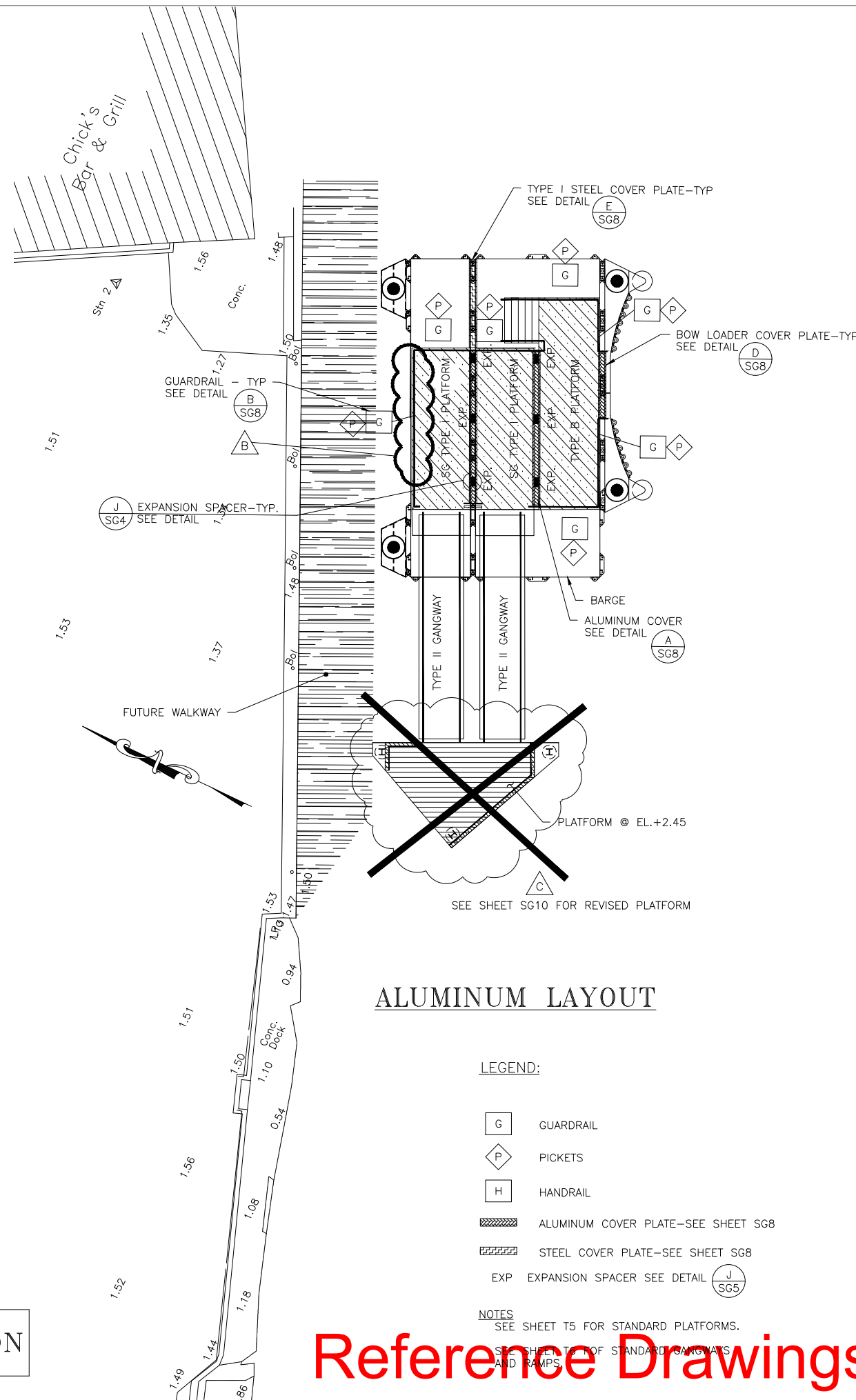
△



**BARGE LAYOUT**

KEY  
P - BARGE TO BARGE PIN REQUIRED  
NOTE: 1. SEE SHEET T3 FOR BARGE UNITS.  
2. SEE SHEET T4 FOR PILE GUIDE UNITS.

CONSTRUCTION



**ALUMINUM LAYOUT**

- LEGEND:
- G GUARDRAIL
  - P PICKETS
  - H HANDRAIL
  - ALUMINUM COVER PLATE-SEE SHEET SGB
  - STEEL COVER PLATE-SEE SHEET SGB
  - EXP EXPANSION SPACER SEE DETAIL (J SG5)

NOTES  
SEE SHEET T5 FOR STANDARD PLATFORMS.

Reference Drawings

GENERAL NOTES:

ISSUED FOR: CONSTRUCTION 14/08/01

AMENDMENTS:

NO:	REVISION	APP	DATE:
Δ	COVER PLATE	RRB	04/01/02

SCALE: AS NOTED

SURVEY

PREPARED BY: DATE:

DESIGN

PREPARED BY: BAP DATE: 23/05/01

CHECKED BY: RRB DATE: 23/05/01

DRAWING

PREPARED BY: JSK DATE: 23/05/01

CHECKED BY: BAP DATE: 23/05/01

APPROVED BY: RRB

PROJECT NUMBER: 61/01/01

PROJECT NAME:

St. GEORGE'S  
REPLACEMENT FERRY PROJEC  
PHASE 1  
DOCK CONSTRUCTION

MARKET WHARF  
St. GEORGE'S PARISH

DRAWING FILE NO: ACAD R-14  
SG-4 ASSEMBLY-CONN.DWG

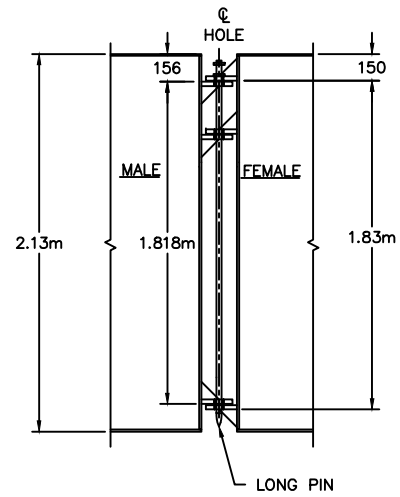
SHEET TITLE:

ASSEMBLY  
CONNECTION

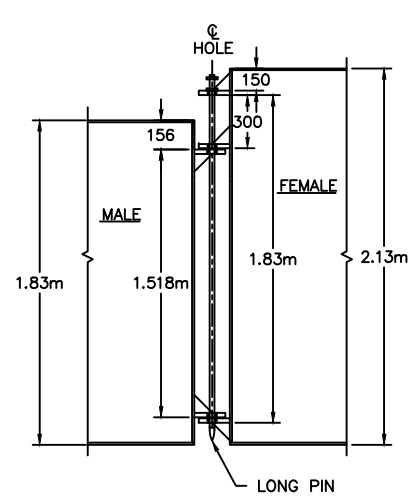
SHEET NUMBER: 61/46/01/SG4

REVISION

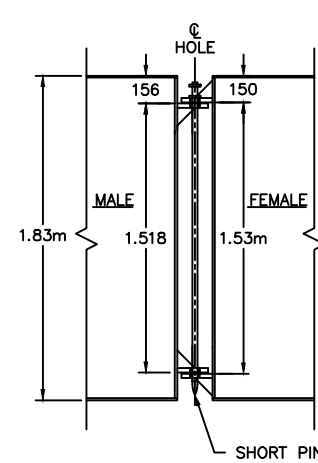
Δ



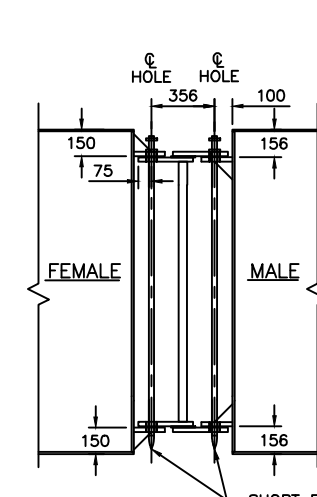
**A**  
SG4  
**HIGH BARGE CONNECTION**  
SCALE: 1 : 20



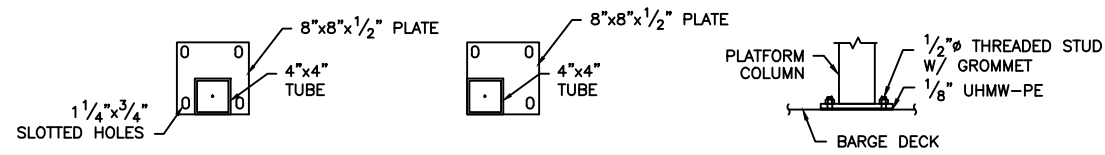
**B**  
SG4  
**HIGH/LOW BARGE CONNECTION**  
SCALE: 1 : 20



**C**  
SG4  
**LOW BARGE CONNECTION**  
PILE GUIDE CONN. SIMILAR  
SCALE: 1 : 20

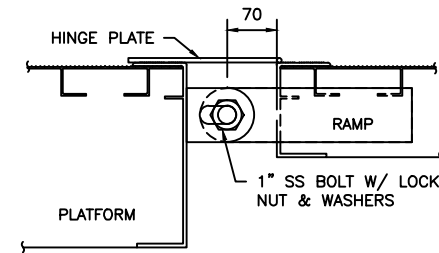


**D**  
SG4  
**BARGE CONNECTION - DETAIL**  
SCALE: 1 : 20

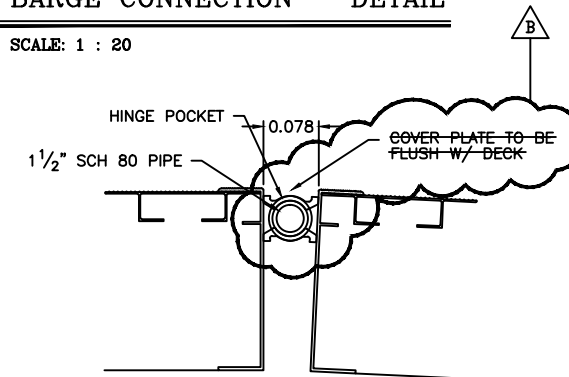


NOTE:  
CONNECTION SHALL BE 4-1/2" SS THD' STUDS W/GROMMET,  
NUT & WASHER WITH 1/8"x9"x9" UHMW-PE BELOW BASE PLATE

**E**  
SG4  
**PLATFORM BASE CONNECTION**  
SCALE: 1 : 10

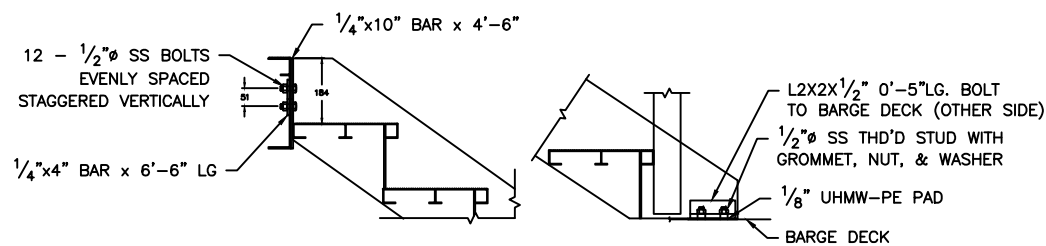


**F**  
SG4  
**RAMP TO PLATFORM CONNECTION**  
SCALE: 1 : 5

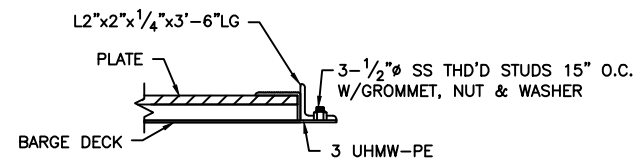


NOTE  
SECURE SCH 80 PIPE TO PREVENT LONGITUDINAL MOVEMENT

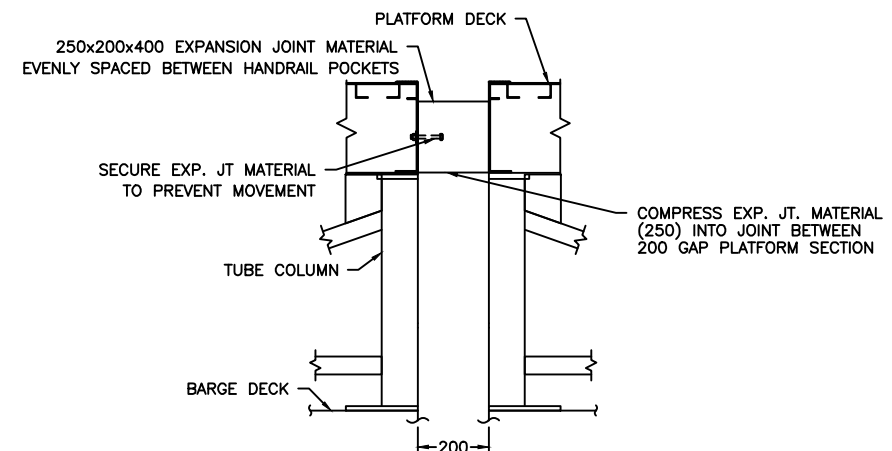
**G**  
SG4  
**STANDARD HINGE POCKET CONNECTION**  
SCALE: 1 : 5



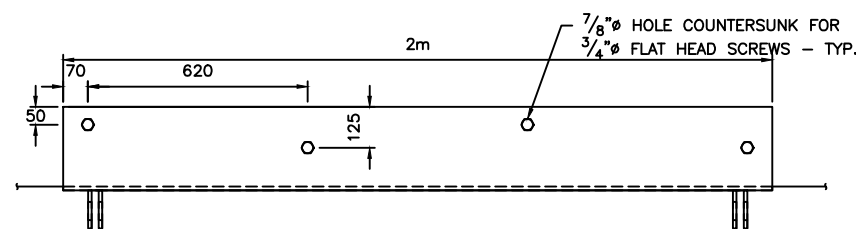
**H**  
SG4  
**STAIR CONNECTIONS**  
SCALE: 1 : 10



**I**  
SG4  
**TRANSITION CONNECTION**  
SCALE: 1 : 5

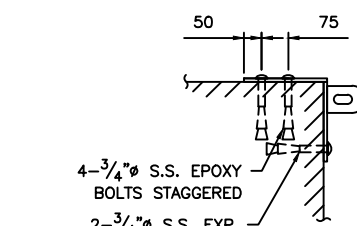


**J**  
SG4  
**PLATFORM TO PLATFORM CONNECTION**  
SCALE: 1 : 10



PLAN

**K**  
SG4  
**GANGWAY LANDSIDE CONNECTION - STANDARD DETAIL**  
SCALE: 1 : 10



SECTION

Reference Drawings CONSTRUCTION



Structures Section



GENERAL NOTES:

ISSUED FOR: CONSTRUCTION 14/08/01

AMENDMENTS:

NO:	REVISION	APP	DATE:
Δ	HOOP ORIENTATION	RRB	04/01/02
Δ	BALLAST	BAP	13/05/02

SCALE: AS NOTED

SURVEY

PREPARED BY: DATE:

DESIGN

PREPARED BY: BAP DATE: 23/05/01  
CHECKED BY: RRB DATE: 23/05/01

DRAWING

PREPARED BY: JSK DATE: 23/05/01  
CHECKED BY: BAP DATE: 23/05/01

APPROVED BY:  
RRB

PROJECT NUMBER:  
61/01/01

PROJECT NAME:

St. GEORGE'S  
REPLACEMENT FERRY PROJEC  
PHASE 1  
DOCK CONSTRUCTION

MARKET WHARF  
St. GEORGE'S PARISH

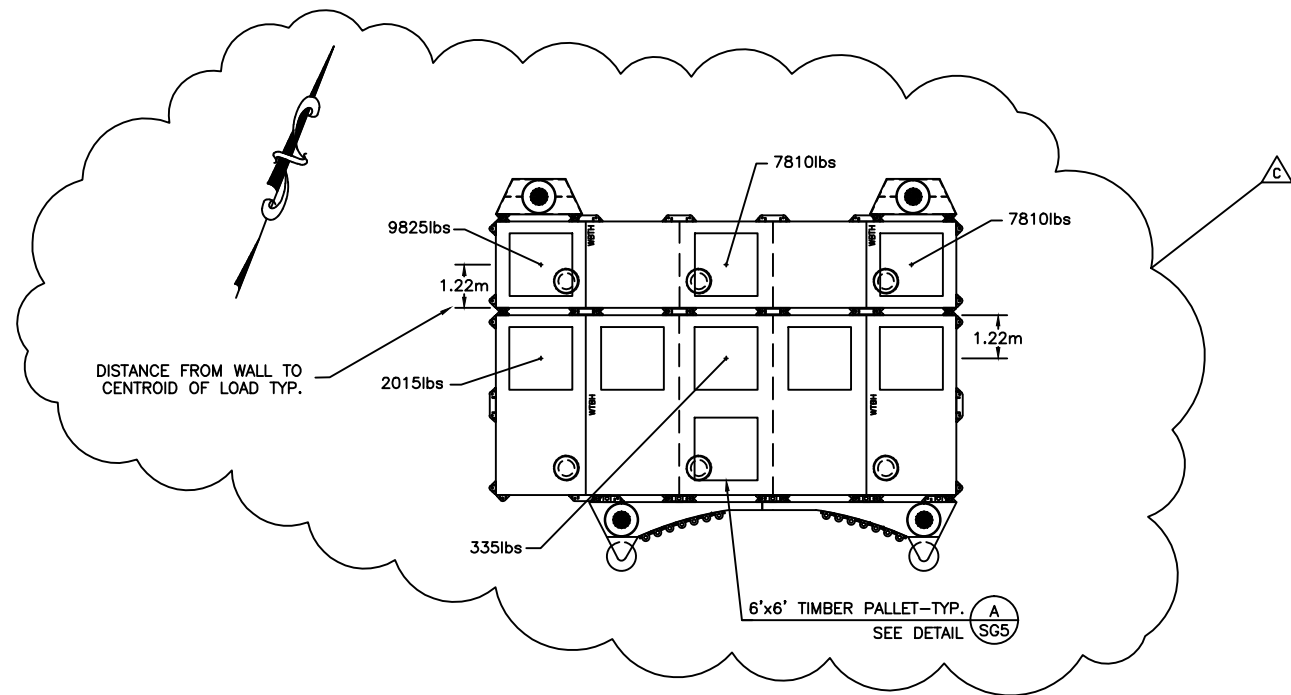
DRAWING FILE NO: ACAD R-14  
SG-5 Ballasting Plan.dwg

SHEET TITLE:

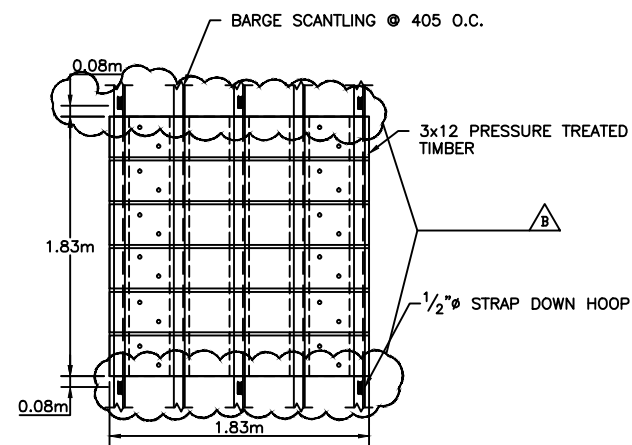
BALLASTING  
PLAN

SHEET NUMBER:  
61/46/01/SG5

REVISION  
C

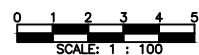


ST. GEORGE'S



BALLAST PALLET-PLAN

SCALE: 1 : 25

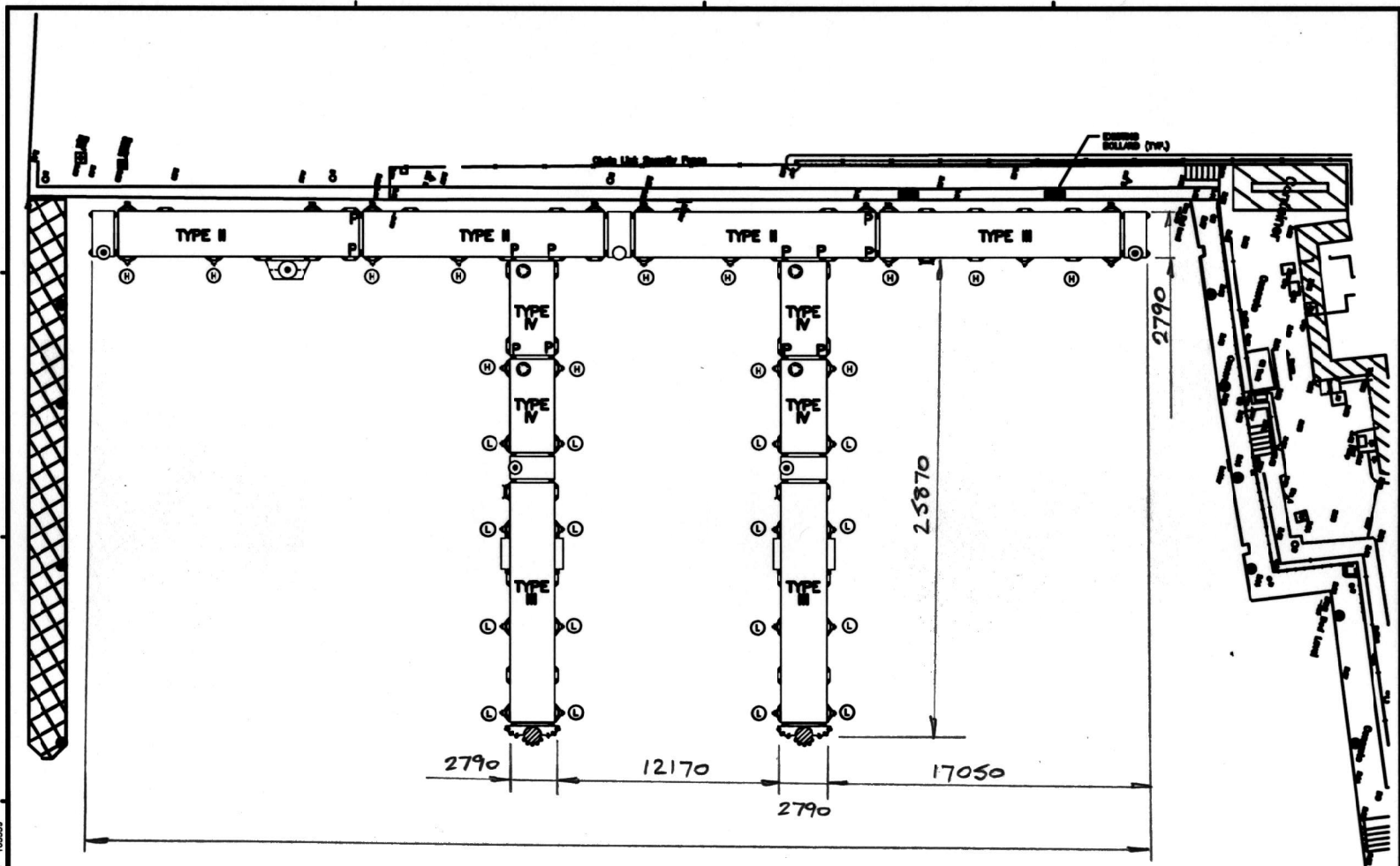


CONSTRUCTION

NOTES:

- BALLAST LOADS ARE SHOWN AT CENTER OF BAY UNLESS NOTED OTHERWISE.
- BALLAST TO BE REMOVEABLE CONCRETE BLOCK OR LEAD.
- BALLAST SHALL BE INSTALLED ON TIMBER PALLETS AT LOCATIONS SHOWN. PALLETS SUPPLIED WITH BARGES.

Reference Drawings



Reference Drawings

**BARGE LAYOUT**

ALL DIMENSIONS IN MM.

**KEY**

⊙ LOW FENDER - SEE SHEET T4.

⊙ HIGH FENDER - SEE SHEET T4.

P BARGE TO BARGE PIN REQ'D.

**NOTE:** 1. SEE SHEET T3 FOR BARGE UNITS.  
 2. SEE SHEET T4 FOR PILE GUIDE UNITS.  
 3. TRANSITION ASSEMBLY TO USE COMMON PIN w/ BARGE FENDER

**THE MINISTRY OF WORKS AND ENGINEERING**

P.O. Box 10366 Hamilton HMCK Bermuda  
 Phone (441) 293-6111

ENGINEERING and OPERATIONS DIVISION  
 Fax: (441) 293-6170

**Structures Section**

**BCE** Bermuda Consulting Engineering  
 20, King George Street, Hamilton, Bermuda  
 Tel: (441) 293-6111

**GENERAL NOTES:**  
 1. COORDINATE BASED ON 1985 2000.  
 2. ALL ELEVATIONS ARE IN METERS BASED ON CROWN DATUM.  
 3. ALL DISTANCES ARE IN METERS.  
 4. SURVEY CONTROL PROVIDED TO THE CONTRACTOR, BY THE OWNER.

ISSUED FOR TENDER 25/05/01

NO.	REVISION	APP.	DATE
1	ISSUED 2 & 3 BY	JJK	14/12/01

SCALE 1 : 100

**SURVEY**  
 PREPARED BY: DATE:

**DESIGN**  
 PREPARED BY: DATE: 23/05/01  
 SDF  
 CHECKED BY: DATE:  
 RFB 23/05/01

**DESIGN**  
 PREPARED BY: DATE: 23/05/01  
 JSK  
 CHECKED BY: DATE:  
 RFB 23/05/01

APPROVED BY: RFB  
 PROJECT NUMBER: 61/01/01

PROJECT NAME:  
**HAMILTON-DEPOT REPLACEMENT FERRY PROJECT PHASE 1 DOCK CONSTRUCTION**

**48 CROW LANE, PEMBROKE PARISH**

DRAWING FILE NO: ACAD R-14  
 HD-3\_Barge-Assembly.dwg

SHEET TITLE:  
**BARGE ASSEMBLY PLAN**

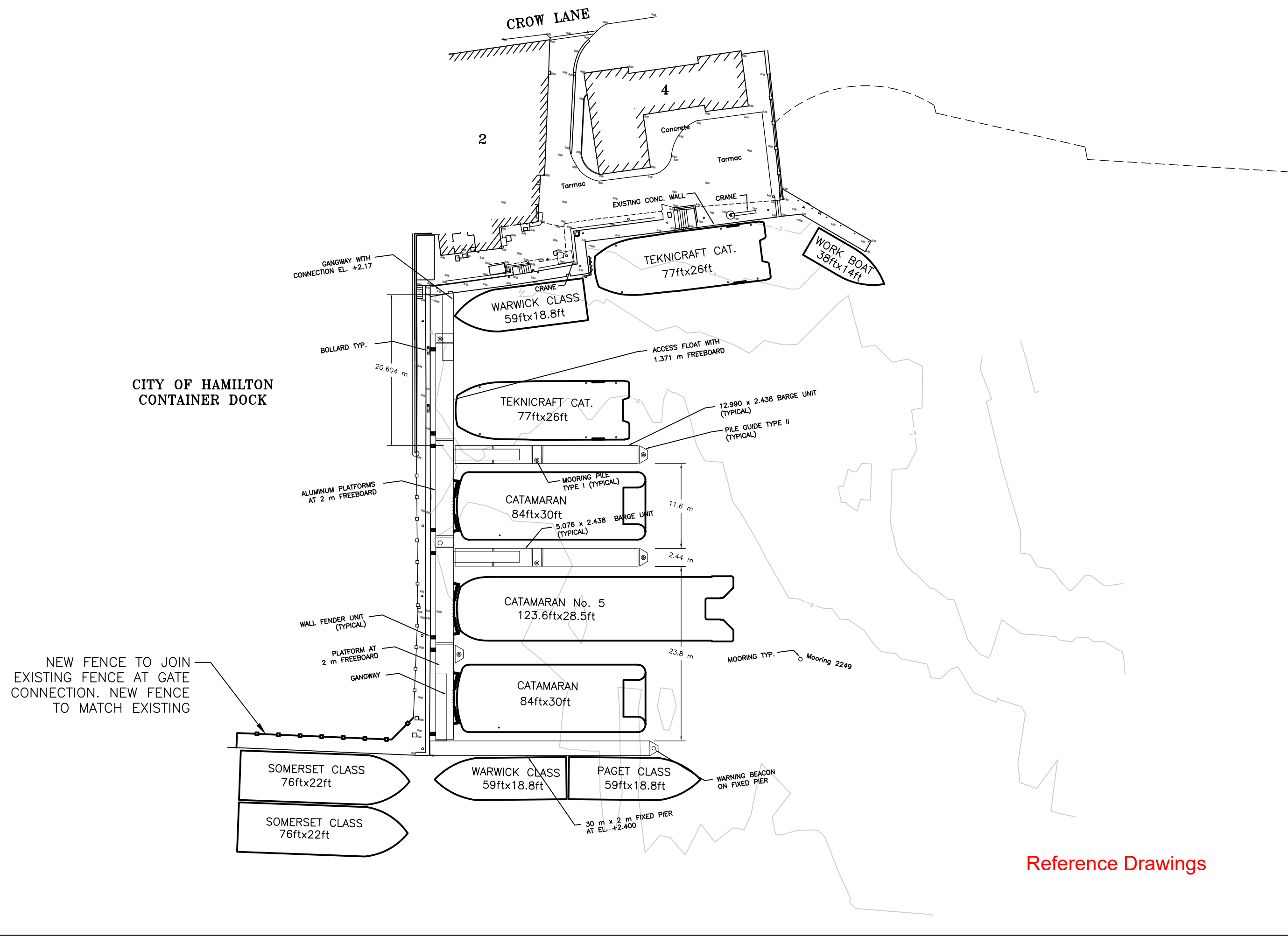
SHEET NUMBER: 61/35/01/100



D:\\_HD-03\_Barge-Assembly.dwg 12/27/2001 10:35:58

Structures Section

NOTE: ALL DIMENSIONS ARE IN METERS  
UNLESS STATED OTHERWISE.



ISSUED FOR: INFORMATION 25/07/06

AMENDMENTS:

NO	REVISION	BY	APP	DATE

SCALE: 1:500

**SURVEY**  
PREPARED BY: KOS/ORS DATE: 14/07/99

**DESIGN**  
PREPARED BY: L. SYLVESTER DATE: 21/07/06  
CHECKED BY: DATE:

**DRAWING**  
PREPARED BY: T. HARMER DATE: 24/07/06  
CHECKED BY: L. SYLVESTER DATE: 25/07/06

APPROVED BY: DATE:

PROJECT NUMBER:

PROJECT NAME:  
**HAMILTON DEPOT  
REPLACEMENT  
FERRY PROJECT**

**4 CROW LANE  
HAMILTON**  
SHEET TITLE:  
**GENERAL ARRANGEMENT  
PLAN**

SHEET NUMBER:  
**S00**



Reference Drawings



## Component List

Note: The component list contains items used in the original works. Items may have changed since then, so this list is to be used as a guide only. The Contractor is advised to confirm this list.

There might be missing components or additional spare components stored at Government Quarry.

<u>Components</u>	<u>Hamilton Terminal</u>	<u>Dockyard</u>	<u>From St. Georges</u> Now believed to be at Governments Quarry
<b>Barges</b>			
Type I	2	1	1
Type II	2		1
Type III	3	2	
Type IV	2	1	
<b>Barge Connectors</b>			
Long pins	60	33	25
Short pins	53	30	
Special connector	1		
<b>Pile Guides</b>			
Type I	2		
Type II	2	1	
Type III	1		2
Type IV			
<b>Bow Loader Unit</b>	2	1	1
<b>Fenders</b>			
Type H	2		
Type L	17	10	
Wall fenders			
Fender Panels			
<b>Gangways</b>			
Type I			
Type II	2	2	2
Type III			
Type IV	1		
<b>Ramps</b>			
Type A	2	1	

Transition Ramp	1	1	
HT - Type I	1		
DY - Type I		1	
DY - Stairs		1	
SG - Stairs			1
<b>Platforms</b>			
Type A	4		
HD - Type I			
HD - Type 2			
HD - Type 3			
HT - Type 1	2		
HT - Type 2	1		
Type B		1	1
DY - Type 1		1	
DY - Type 2		1	
SG - Type 1			2

END OF SECTION