

ISSUED FOR: TENDER

AMENDMENTS:

NO	REVISION	BY	APP	DATE

SCALE: NTS

SURVEY  
PREPARED BY: DATE:

DESIGN  
PREPARED BY: DATE:

CHECKED BY: DATE:

DRAWING  
PREPARED BY: DATE:  
KJH

CHECKED BY: DATE:

APPROVED BY: DATE:

PROJECT NUMBER:  
50/203/50

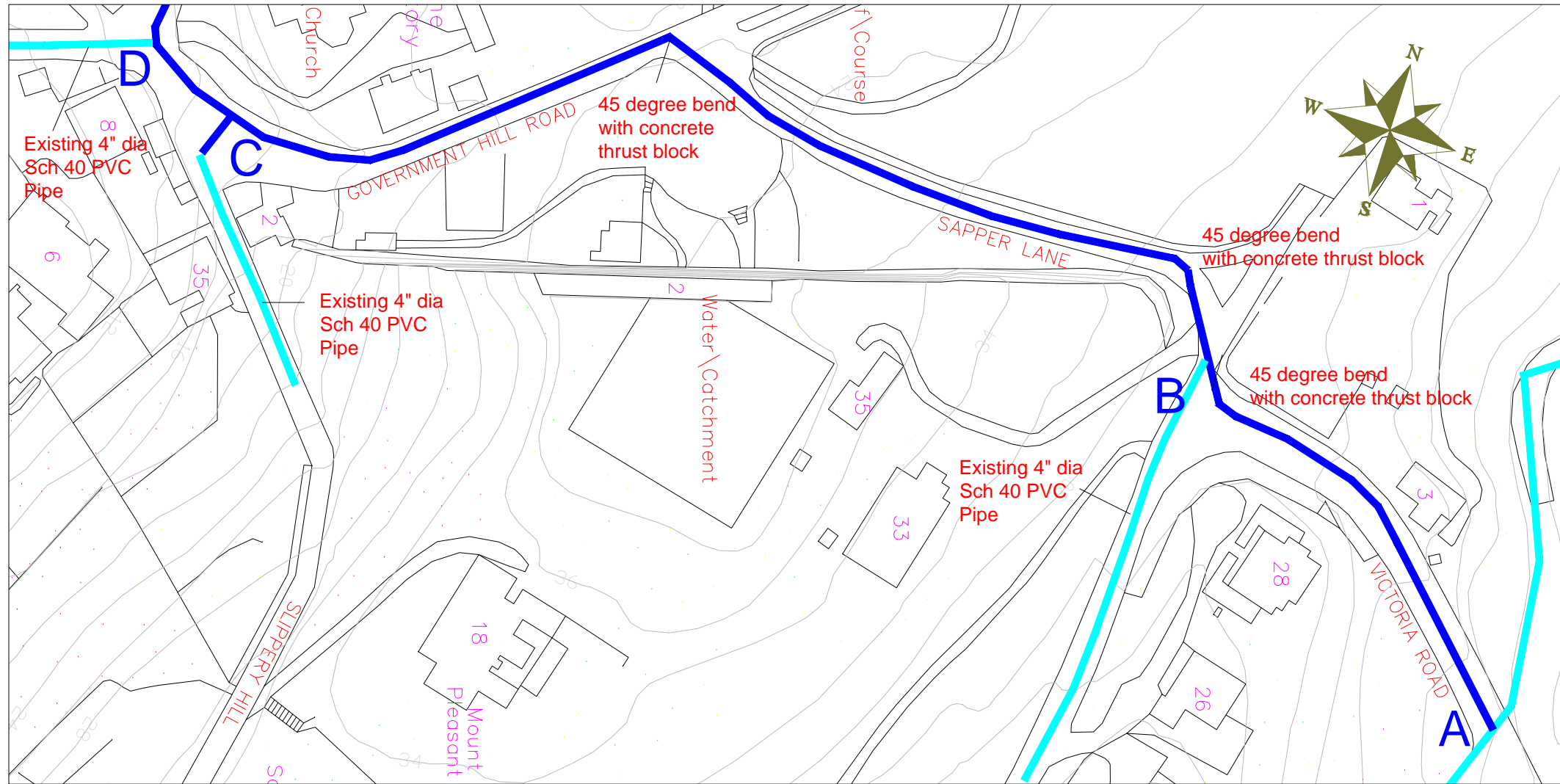
PROJECT NAME:  
**Water Main  
Improvements  
St George's**

Victoria Rd to Somner Ln  
St. George

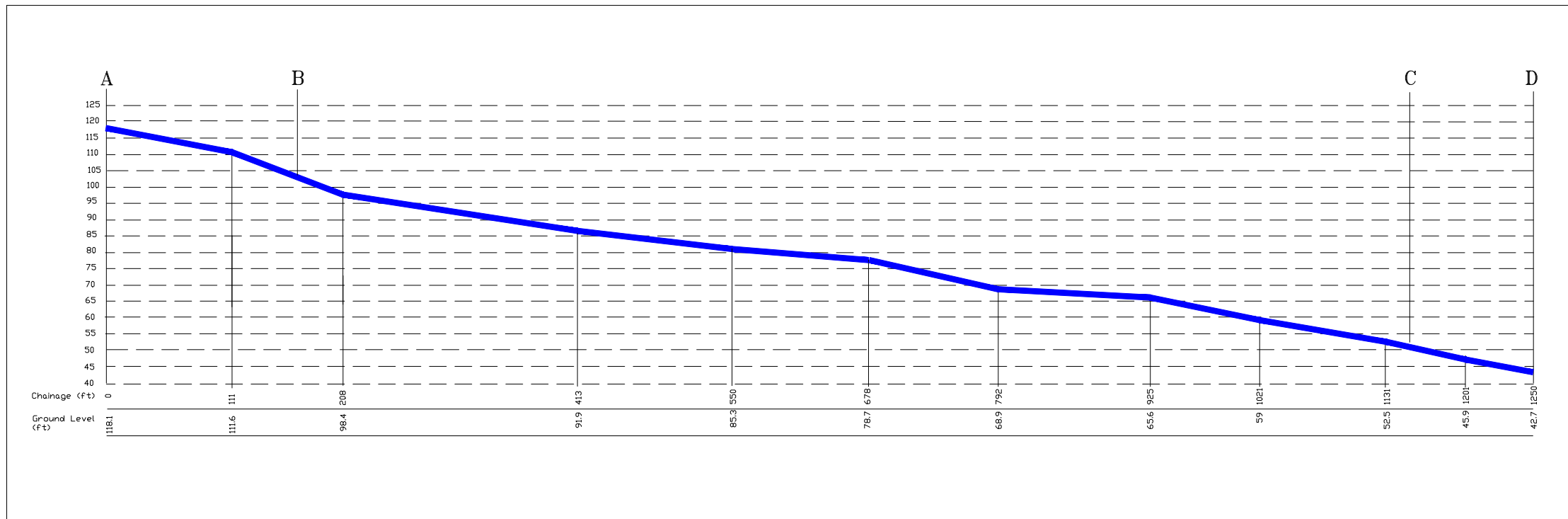
SHEET TITLE:  
**NEW PIPELINE  
Sheet 1**

SHEET NUMBER:  
**SGI2**

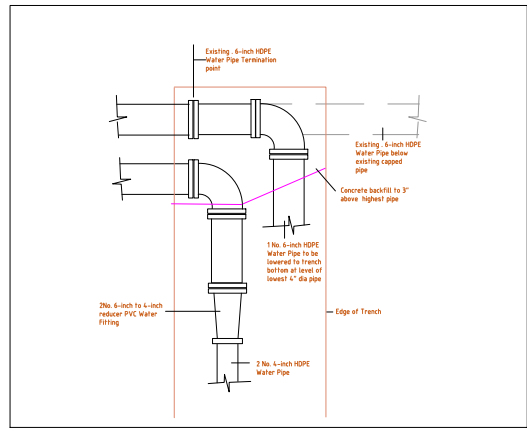
REVISION  
▲



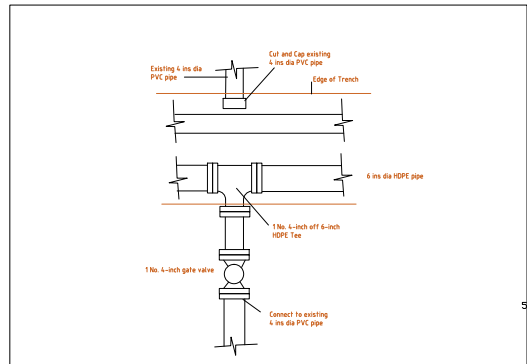
PIPE ROUTE PLAN



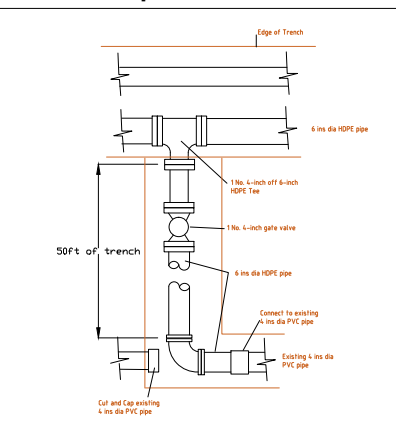
PIPE PROFILE



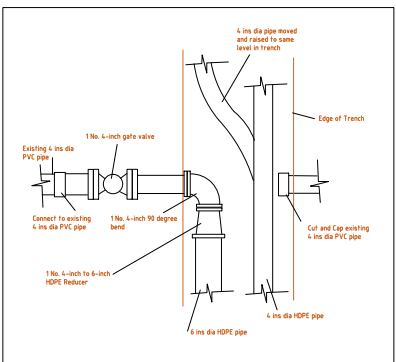
Pipe at Point A



Pipe at Point B



Pipe at Point C



Pipe at Point D